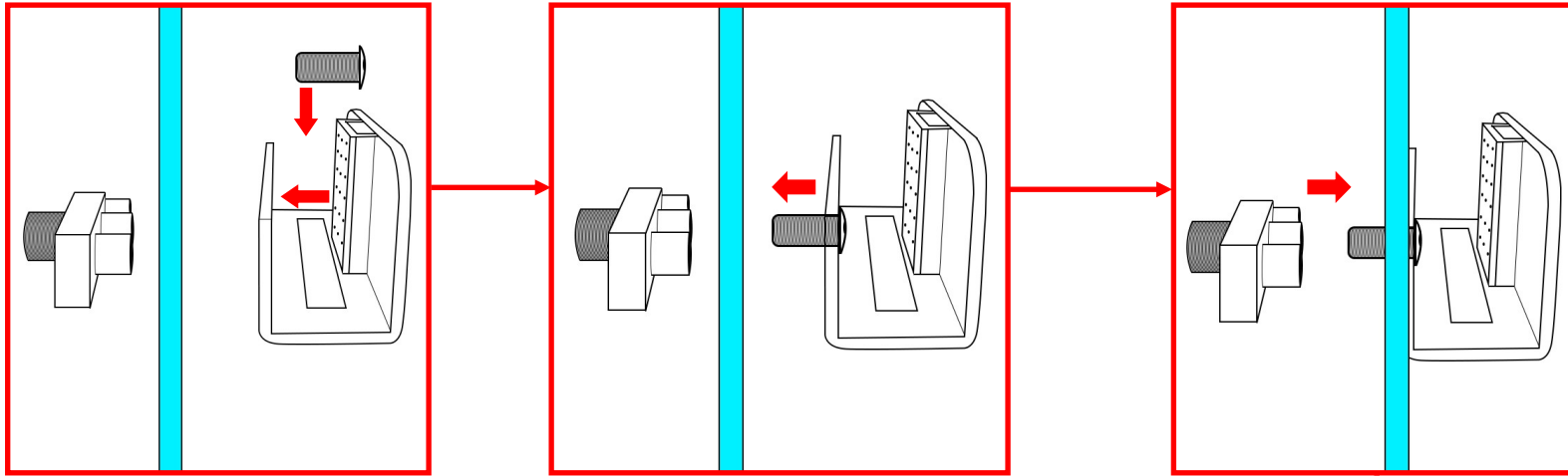


2nd Generation AMI Install

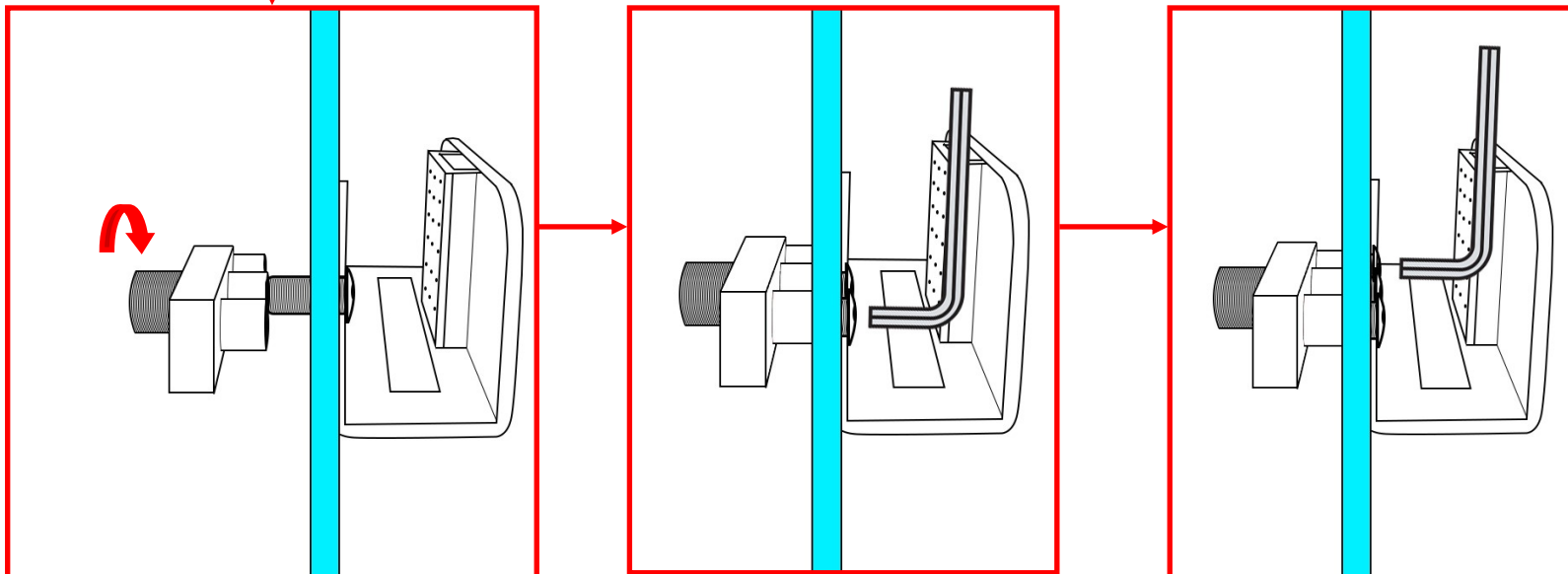
Place in middle hole first



Turn Tri-Jet to tighten

Use Allen key to tighten left chrome outlet

Use Allen key to tighten right chrome outlet



Note:

Connect the 1 metre insulated hose to the back of the Tri-Jet outlet to the 'steam out' on the generator.

AMI 2nd Generation User Guide

1. Apply water to an Insignia Diffuser pad so it expands.
2. Apply Essential oil to the blank side of the Diffuser pad. (Recommended amount approx. 5ml)
3. Place Diffuser pad into the Aromatherapy Steam Guard.
4. Activate Insignia fast start steam generator.
5. Enjoy luxuriously fragrant steam.
6. After steam session, dispose of Diffuser pad.

