

Insignia

INSTALLATION MANUAL

1400x900

ECO Series

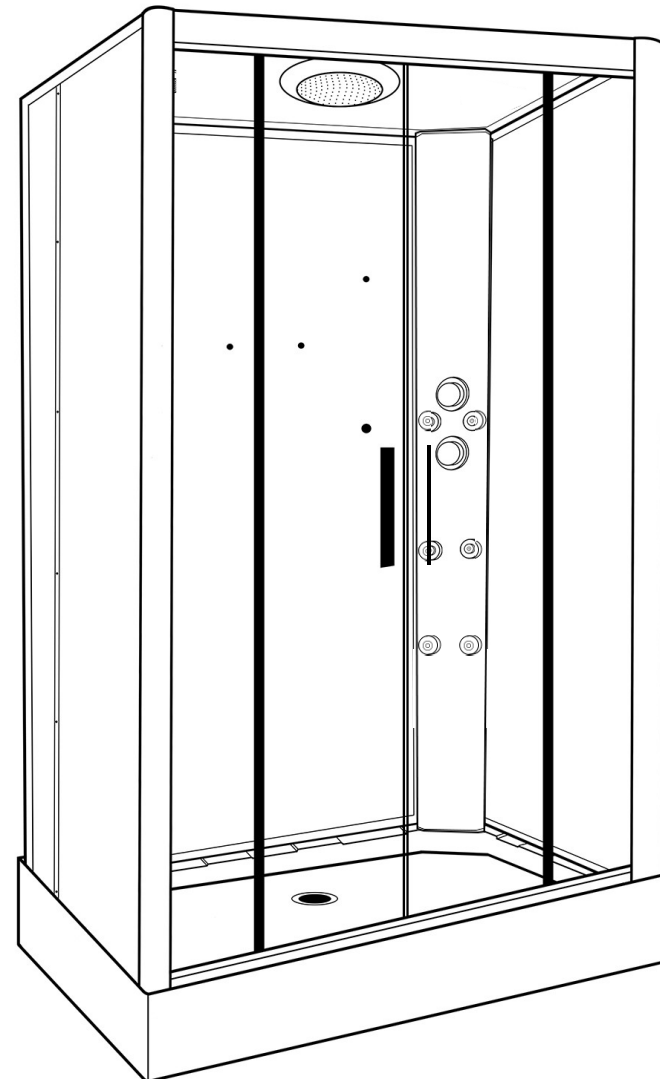


Replacements Parts: Inside of your warranty period visit:

<https://www.insigniashowers.com>, click support and make a warranty claim.

Spares/Replacements Parts: Outside of your warranty period visit

<https://www.insigniashowers.com/replacement-parts.html>



ATTENTION INSTALLERS:

These instructions must be left with the customer

CHECK ALL CONTENTS BEFORE BUILD COMMENCES. NO RETURNS CAN BE MADE ONCE THE BUILD HAS STARTED AS IT IS DEEMED ACCEPTANCE OF PRODUCT!

WARRANTY REG NO: _____

To claim your full 2 year warranty, register your shower within 90 days visit:

<https://www.insigniashowers.com>, click support and register for your warranty

Contents

Installation Assistance	3
Thank you for your purchase	4
Tips for assembly	5
Electrical/Pressure/Tool requirements	6
Box contents	7
Screw Pack Contents	8
Levelling the Tray/Installing the Waste	9
Applying RubberGum	10
Installing the Right Side Panel and Right Column	11
Installing the Back Panel	13
Accessories Installation	14
Installing the Left Column	15
Installing the Right Corner Upright	16
Connecting the Framework	18
Installing the Framework	19
Installing the Left Corner Upright	21
Installing the Left Side Panel	23
Installing the Roof	25
Installing the Right Front Fixed Glass	26

Installing the Right Front Fixed Glass Seals	27
Installing the Left Front Fixed Glass	28
Installing the Left Front Fixed Glass Seals	29
Installing the Door Handles, Seals and Magnets	30
Installing the Door Wheels and Doors	31
Valve/Water Connections	32
Connecting the Water Supply	33
Signing off your Shower	34
Parts list	35

Installation Assistance

Looking for assistance with the Install?

GREAT NEWS!

We have our easy to follow Installation videos live online NOW to make your installation process easier than ever before!

Simply click the link below and watch the installation process.

[Shower Install](#)

Please note: this build video is for an Insignia Platinum Shower, however 90% of the process is the same for assembly so it should help you on your way!



Thank you for your recent purchase of an Insignia shower. Please read this booklet with great care to ensure you get the best out of your build and have a shower that will last for many years to come! Like everything, in order to obtain a first class product that will serve you well for many years, the effort and correctness put into the assembly will reflect in the quality of your finish.

Before we start, here's our 4 top tips which may assist you...

TIP 1—Building Your Shower

This product is suitable for a DIY build, providing you are confident in your DIY abilities. Please look through this build guide and decide on whether you feel confident in undertaking this task. If you are not, seek the services of a professional and show them these instructions before hiring.

TIP 2—Hard Water

Due to the nature of this product we highly advise the purchase and fitting of a water softener.

(Please note: limescale build up may cause damage to your shower and will not be covered under warranty)

TIP 3—Installation

These showers are designed to be free standing and movable from their location should you have the need to replace anything.

ALWAYS USE Flexible braided water inlet pipes (not supplied) and not central heating plastic type! Get your WRAS Approved Flexible Braided Hoses [here](http://www.insigniashowers.com/wras-approved-braided-hoses.html). (www.insigniashowers.com/wras-approved-braided-hoses.html)

NEVER FIX with rigid pipes, **NEVER FIX** the unit to the wall or floor.

TIP 4—Sealing

When using Insignia's RubberGum, please ensure the product does not come in contact with your silicone as this will cause the RubberGum to fail and will not adhere as intended. RubberGum is immediately waterproof and will gain additional strength over time.

Pressure/Water Requirements

We recommend a BAR pressure between 2.5 and 3.4 BAR. If you have a combi boiler system no problem should be experienced. If you have a gravity feed older type installation (hot water tank type usually less than 1 BAR) you will almost certainly need a pump. We cannot advise on which type of pump is used, location or design because all house plumbing layouts vary. This is a job for your installer/plumber. The end delivery however must fall within the scope above.

Important Note Do not exceed 3.4 BAR pressure under any circumstances. Warranty is void if so as damage will occur. If you have a combi supply, please use a pressure reducing valve if required to lower the BAR pressure to the shower.

Please Remember that this product is free standing and is designed to be pulled away from the wall.

Waste connection HOUSE to SHOWER.

Always use a McAlpine or similar approved 40mm compression joint fitting. Never use glued joints!

Your waste hose is specifically designed not to accept glued joint fittings.

Correct compression joint fittings avoid degradation of materials.

The water supply pipes must be that of a flexible braided type **(not supplied)**.

DO NOT OVERTIGHTEN THE BRAIDED HOSES AS IT CAN CAUSE THE CONNECTION TO POP AFTER A FEW WEEKS OF USE.

Always fit easy to get to isolation taps on both hot and cold water supply (not supplied). Just like a dishwasher or washing machine, this product **MUST** be isolated when not in use.

Tools Required

You will require:

- | | |
|---|--|
| <ul style="list-style-type: none"> • Scissors • Knife • Spirit Level • Tape Measure | <ul style="list-style-type: none"> • Philips Screwdriver • Electric Drill • Safety Gloves • Safety Glasses |
|---|--|

Parts Required

- RubberGum (supplied)
- Plumbers Mait (not supplied)
- Hot and cold isolation valves (not supplied)
- Suitable McAlpine or similar approved 40mm compression joint fitting.
- 6x Braided hoses (not supplied)
If you haven't purchased these already, simply click the link below or copy in to any web browser. For ease we have listed the required pack below for your install.
- Shower cabins require **pack 4**

<https://www.insigniashowers.com/wras-approved-braided-hoses.html>

What's in the Boxes?

Box	Contents	Quantity	✓
Tray	Shower Tray	1	[]
	Waste + Hose	1	[]
	Glass Shelf	1	[]
	Riser Rail for hand shower	2	[]
	Screw Pack	1	[]
	Shower hose	2	[]
	Door Pack	Glass Door	2
Front Fixed Glass Panel		2	[]
Left Column	Complete Column (No Control Panel)	1	[]
	Hand Shower	1	[]
	15mm T-Valves for water connections	2	[]
Right Column	Complete Column (With Control Panel)	1	[]
	Hand Shower	1	[]
Left Side Panel	Left Side Panel	1	[]
Right Side Panel	Right Side Panel	1	[]
Back Panel	Back Panel	1	[]

Framework	Top Rail	1	[]
	Bottom Rail	1	[]
	Outer fixed uprights	2	[]
	Curved corner posts	2	[]
	Inner upright post	2	[]
	Magnetic door seal	2	[]
	Rear flap door seal	2	[]
	Flexible seal (12mm)	2	[]
	Flexible seal (7mm)	2	[]
	Framework Securing Clips	4	[]
Roof	Roof with fittings	1	[]

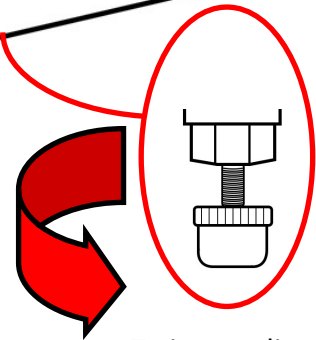
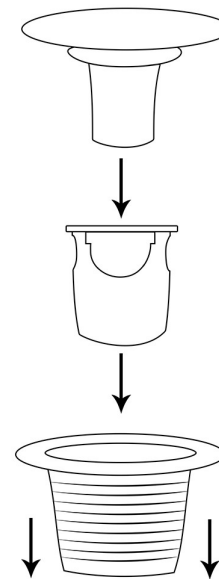
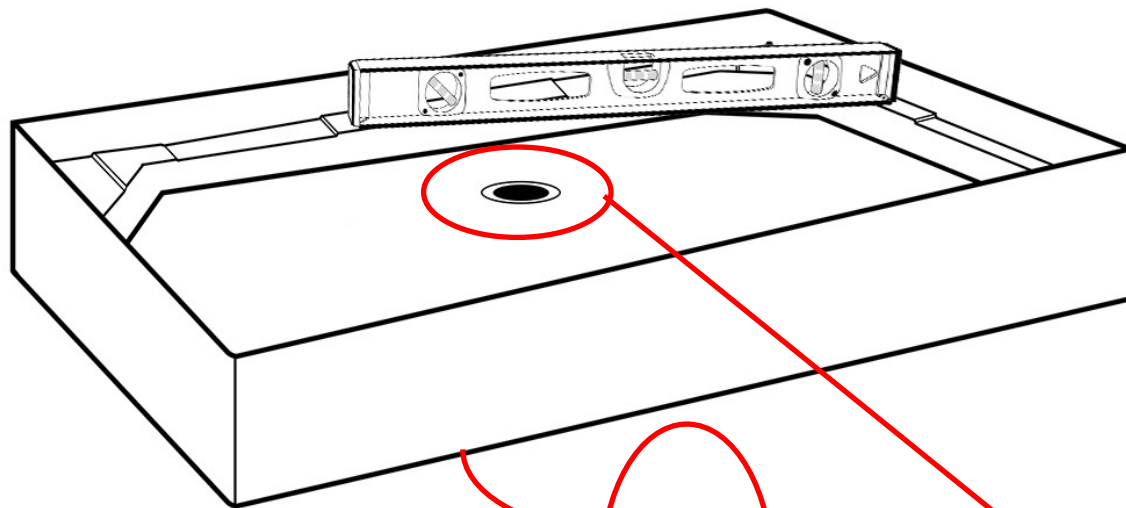
Screw Pack Contents

Product Code	Description	Quantity
SP097	Door Handle	2
SP276	Twin Door Wheels Non-Push	4
SP276A	Twin Door Wheels Push button	4
ST10	10mm Screws	6
ST16	16mm x 3.5mm Screws	8
ST16	16mm x 4mm Screws	6
ST18	18mm Screws	4
NB20	20mm Nut and Bolt	24
AMI01	Jubilee Clip	2
SW9	Small Washers	24
DB9	Drill Piece	1
AK2.5	2.5mm Allen Key	1

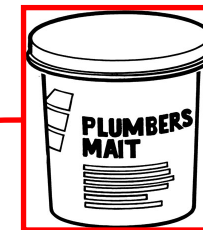
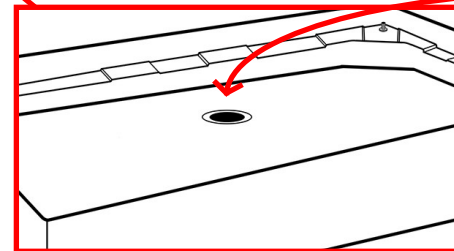
VERY IMPORTANT

Have you got everything? If not please contact the Insignia directly on **01908 317 512**. Remember **NEVER** book your tradesman until everything has arrived, been checked and is present. No replacement/missing parts can be obtained free of charge during or after the build. Any claims can only be within the timescale permitted (48 hours after delivery) and always **BEFORE** build.

Step 1 — Level the Tray and Installing the Waste

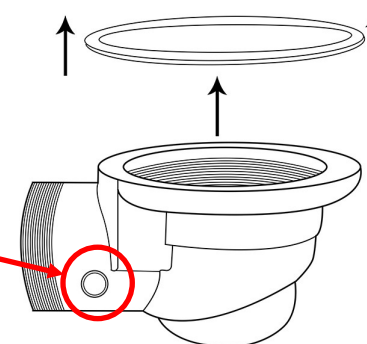


Twist to adjust



NOTE: FOR STEAM SHOWERS ONLY:

Check the Spigot is drilled out prior to fitting. If it isn't ensure you drill it out!



Waste connection HOUSE to SHOWER.

Always use a McAlpine or similar approved 40mm compression joint fitting. Never use glued joints!

Your waste hose is specifically designed not to accept glued joint fittings.

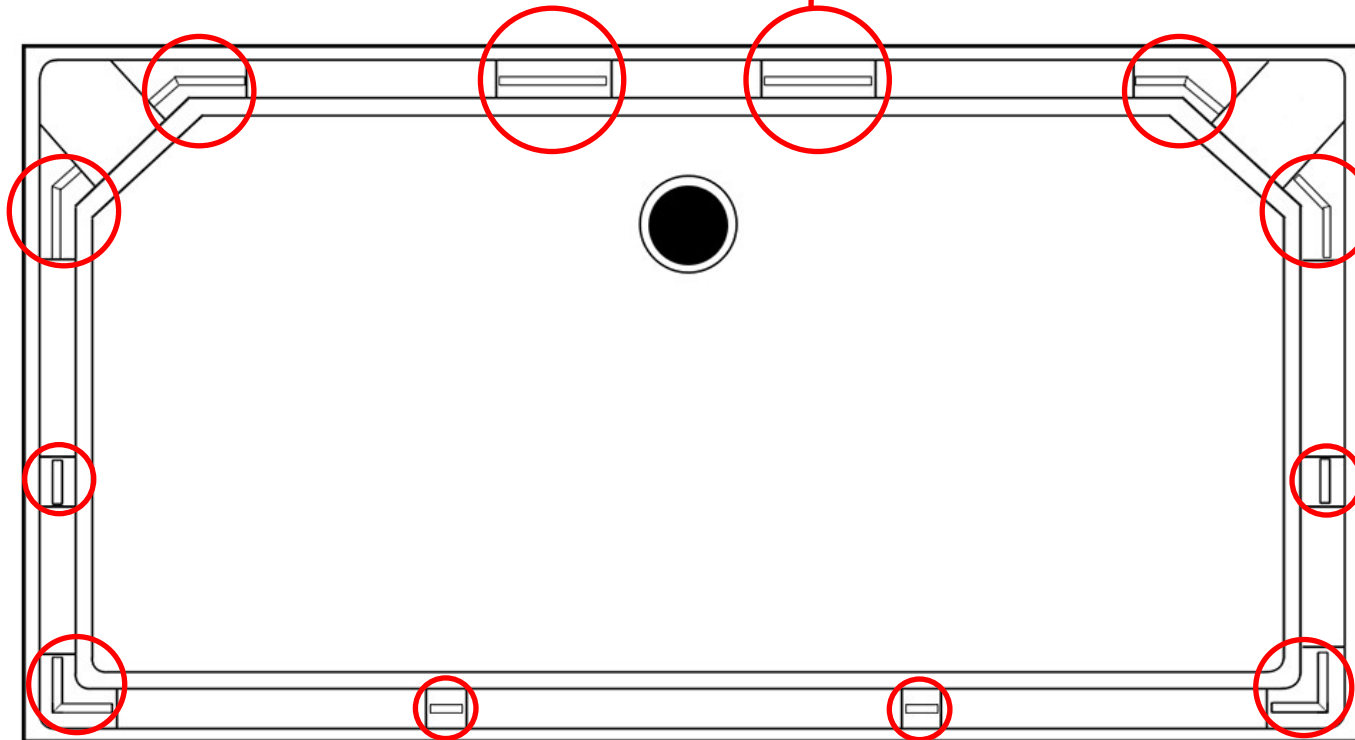
Correct compression joint fittings avoid degradation of materials.

Step 2 — Applying RubberGum to the Tray

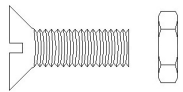
Apply RubberGum to raised sections of the tray and remove backing paper.



The image shows a black box of 'Insignia RubberGum Rubber Adhesive Fixing Seal' with a 'NEW' sticker. Next to it is a roll of white adhesive strip with a gold-colored backing paper.



Step 3 — Installing the Right Column and Right Side Panel



NB20 x 6



SW9 x 6



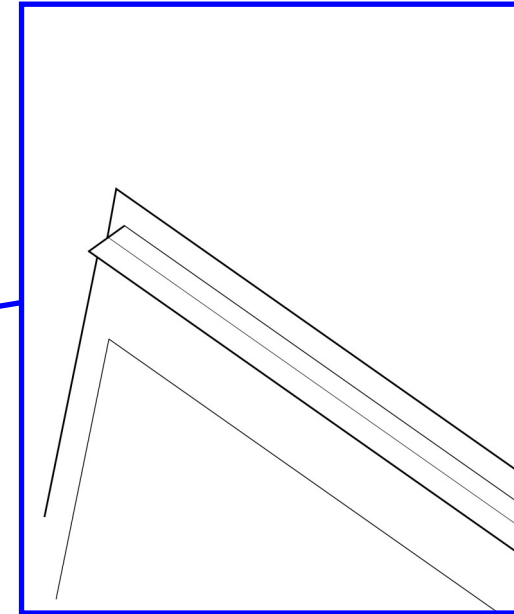
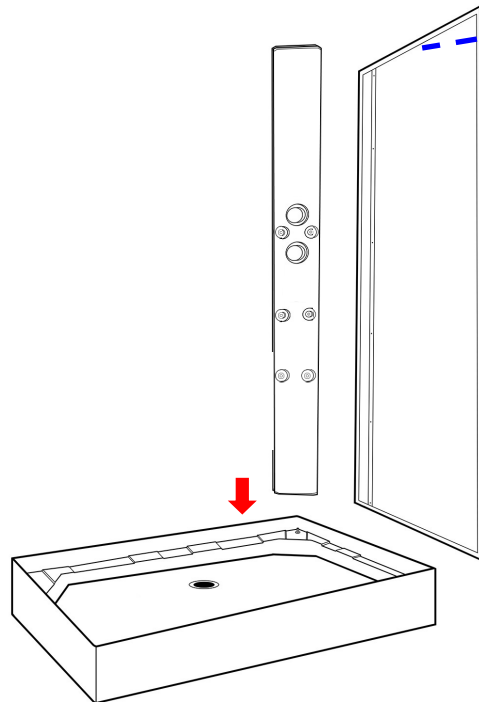
DB 9



PRESS PANELS DOWN
FIRMLY ON TO THE
RUBBERGUM.



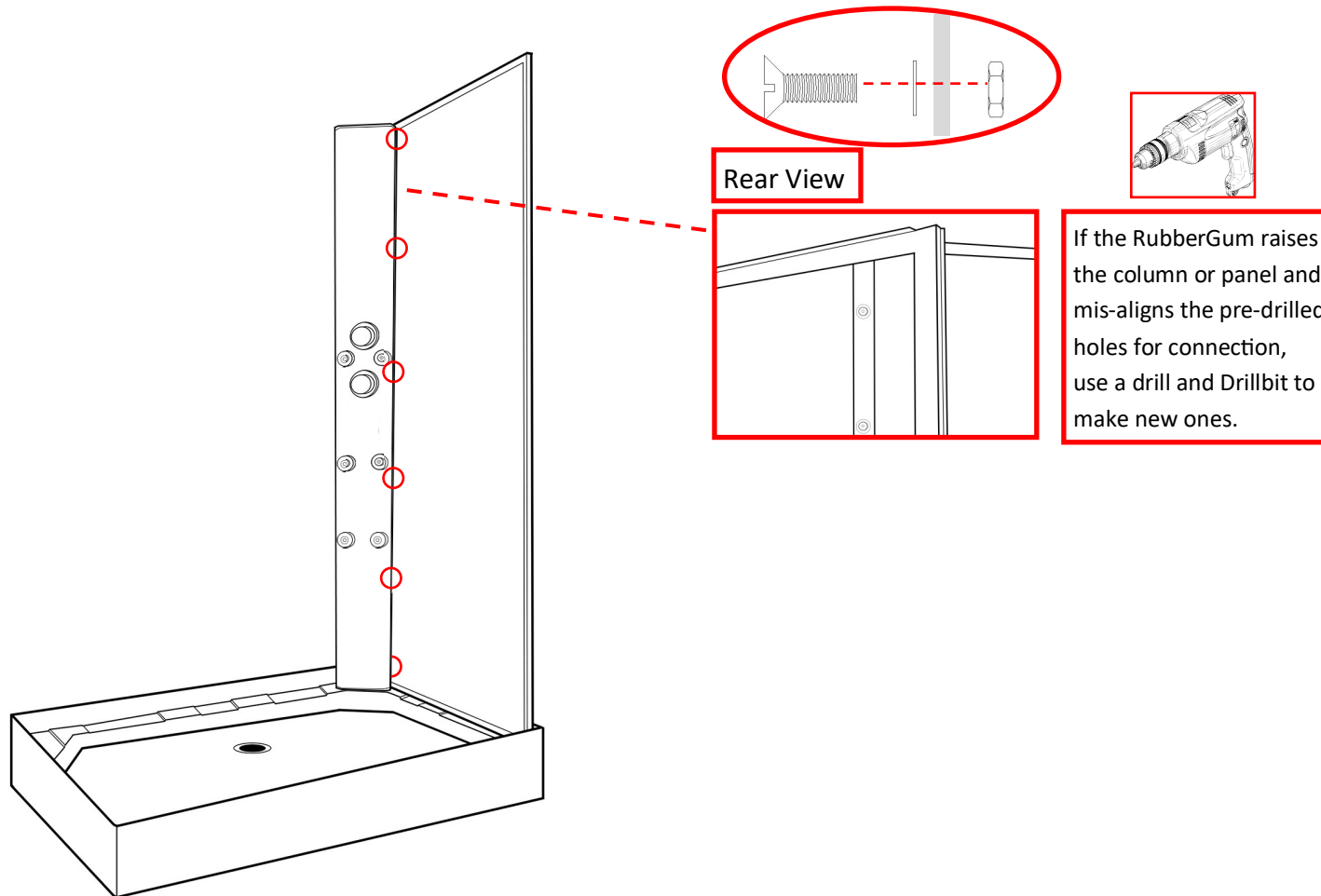
DO NOT SCREW PANELS TO THE TRAY.



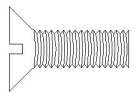
Ensure that the recess for housing the roof is facing upward

Please Note: The central columns are interchangeable, therefore can be installed on the left side or the right side of the tray.

Step 3 continued — Installing the Right Column and Right Side Panel



Step 4 — Installing the Back Panel



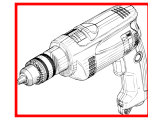
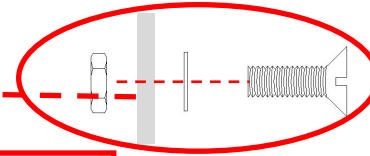
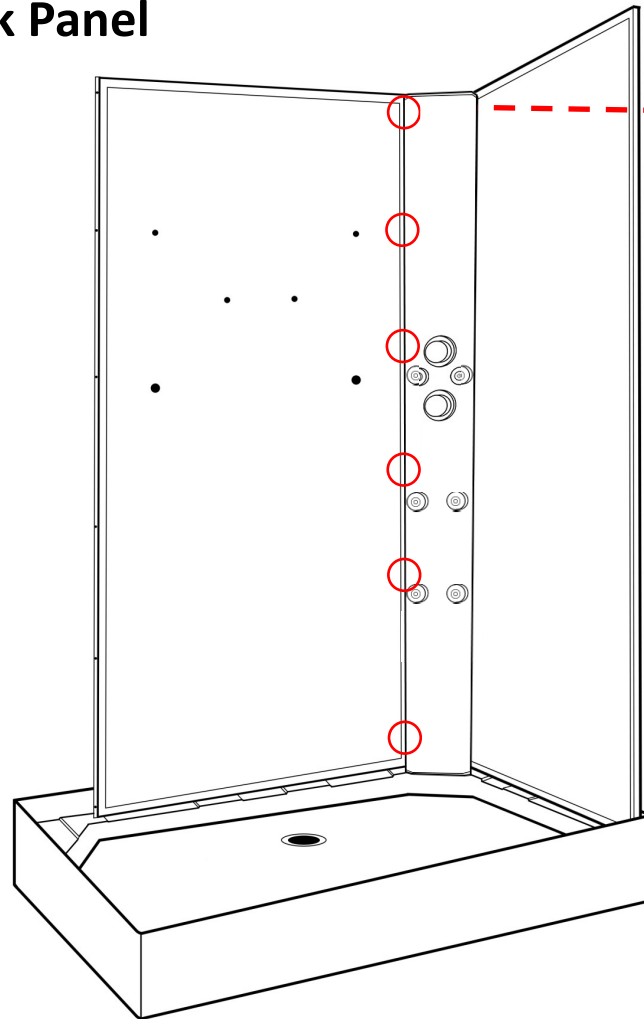
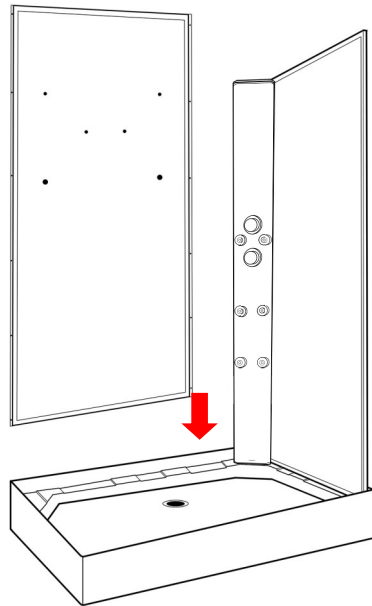
NB20 x 6



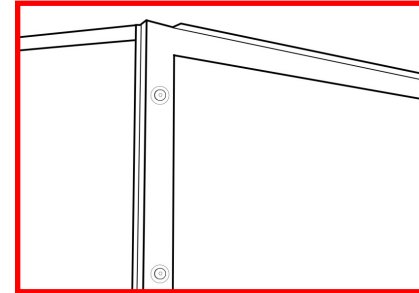
SW9 x 6



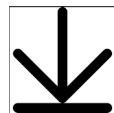
DB 9



Rear View



If the RubberGum raises the column or panel and mis-aligns the pre-drilled holes for connection, use a drill and Drillbit to make new ones.

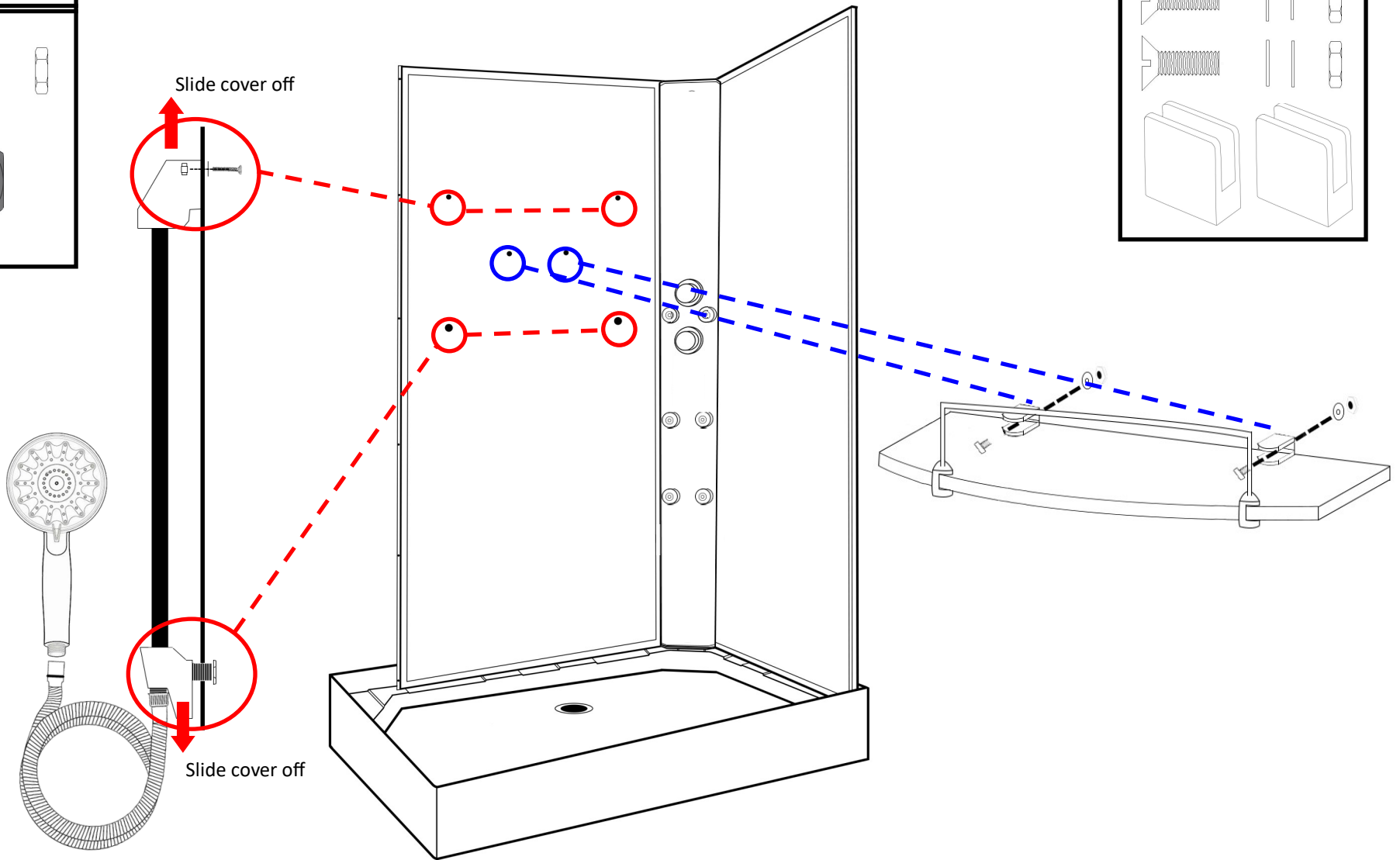
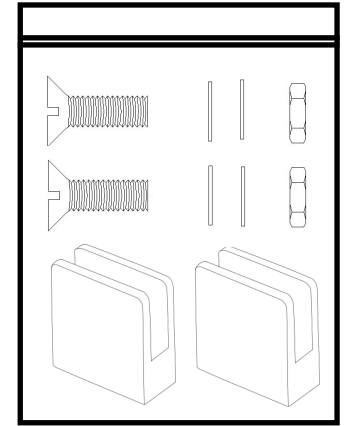
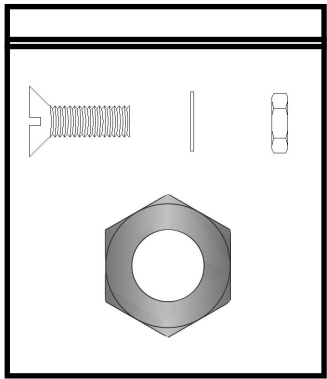


PRESS PANELS DOWN FIRMLY ON TO THE RUBBERGUM.

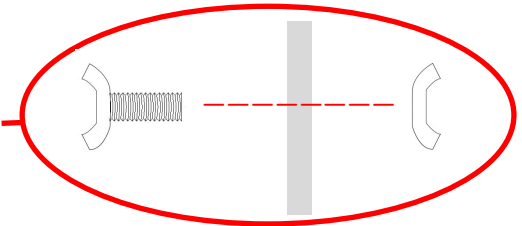
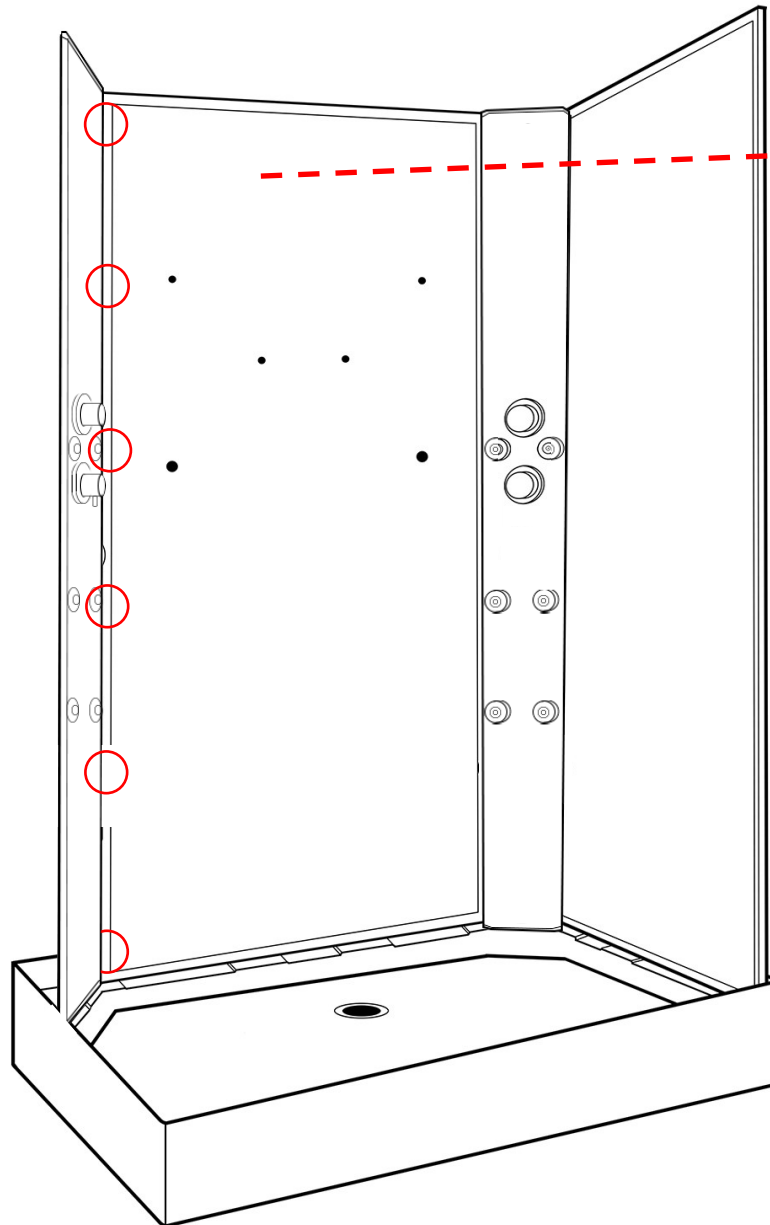
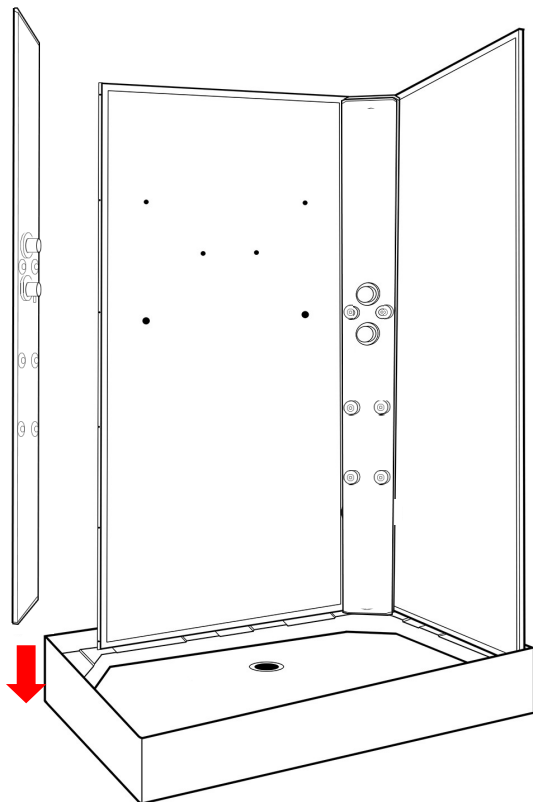
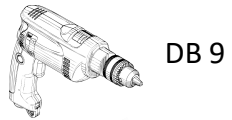
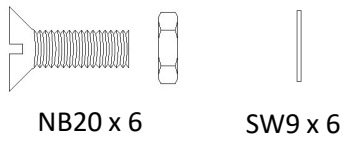


DO NOT SCREW PANELS TO THE TRAY.

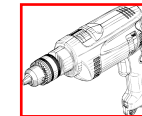
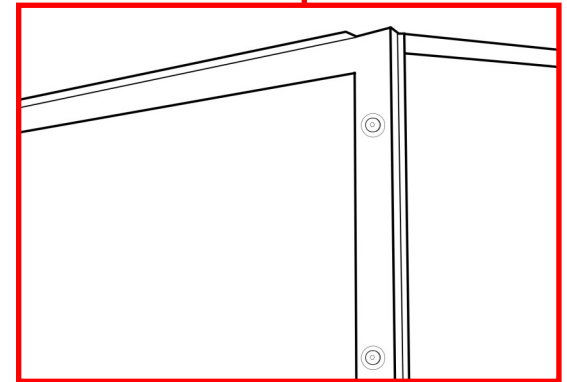
Step 5 — Accessories Installation



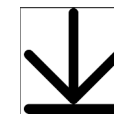
Step 6 — Installing the Left Column



Rear View



If the RubberGum raises the column or panel and mis-aligns the pre-drilled holes for connection, use a drill and Drillbit to make new ones.

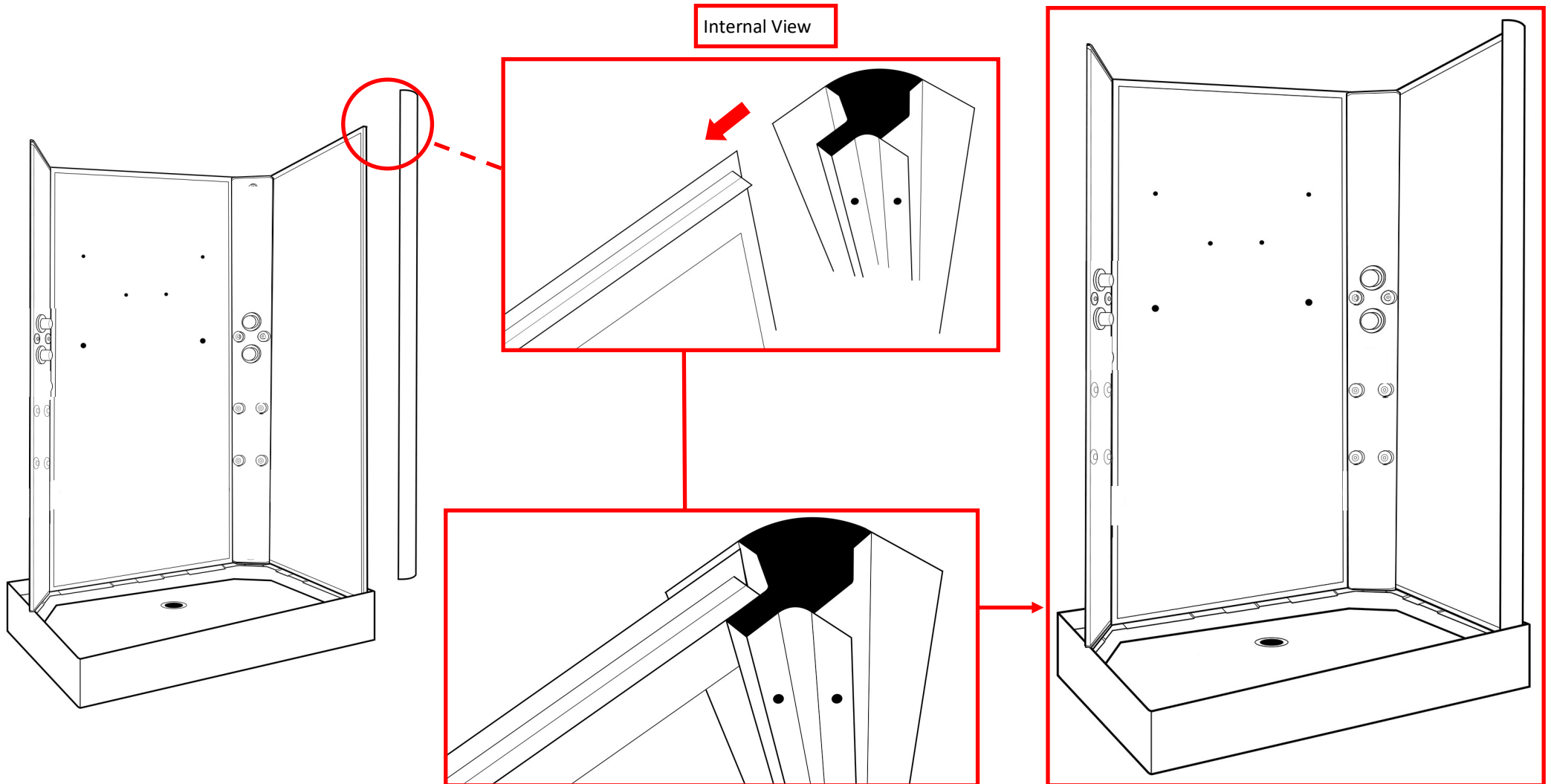


PRESS PANELS DOWN FIRMLY ON TO THE RUBBERGUM.

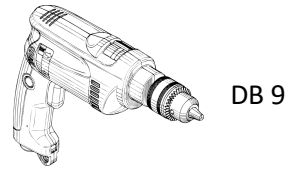


DO NOT SCREW PANELS TO THE TRAY.

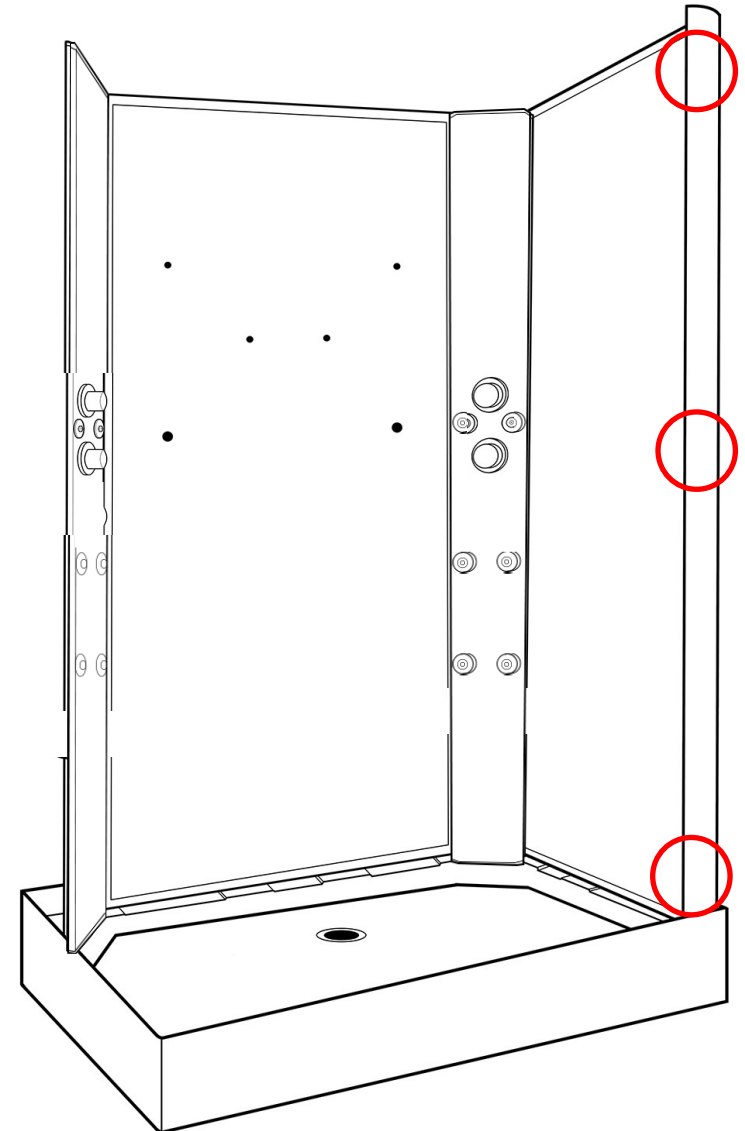
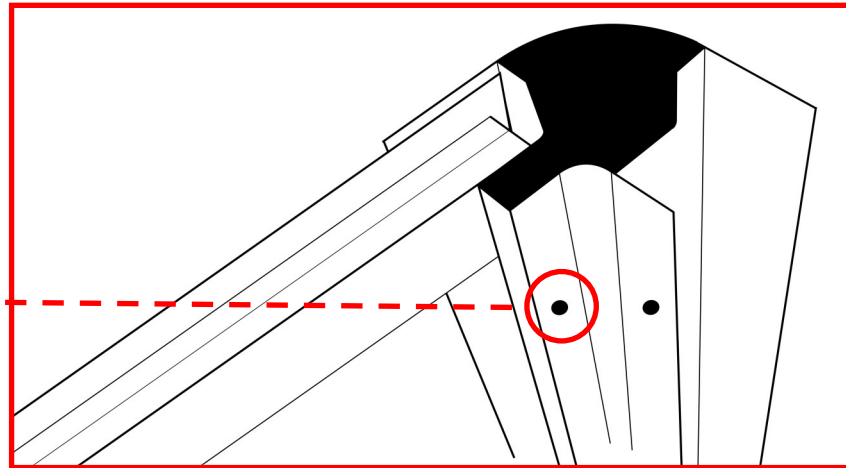
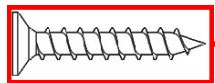
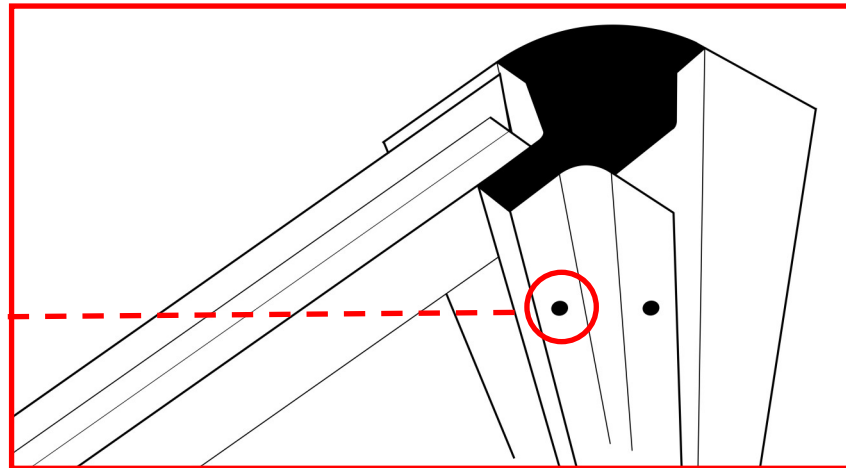
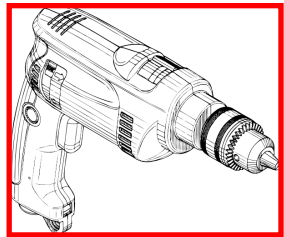
Step 7 — Installing the Right Corner Upright to the Right Side Panel



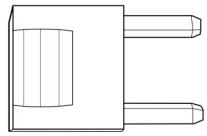
Step 7 — Installing the Right Corner Upright to the Right Side Panel Continued



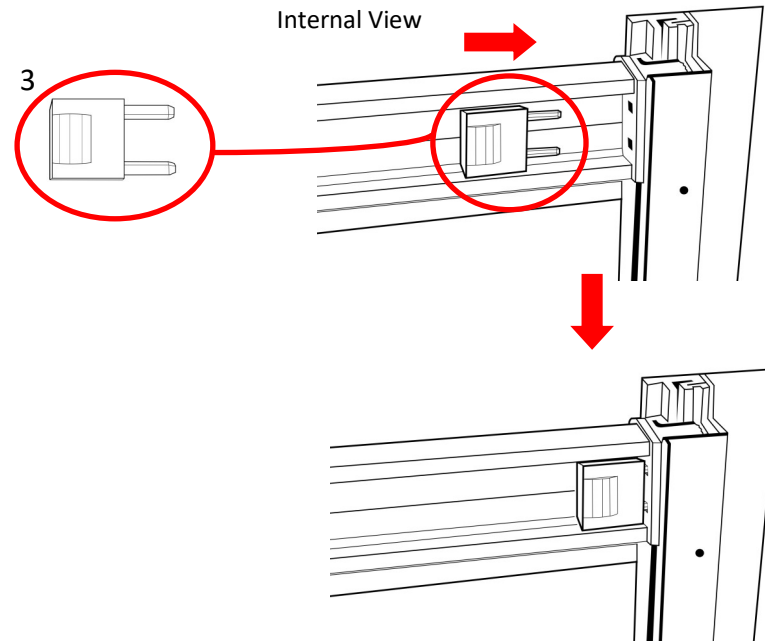
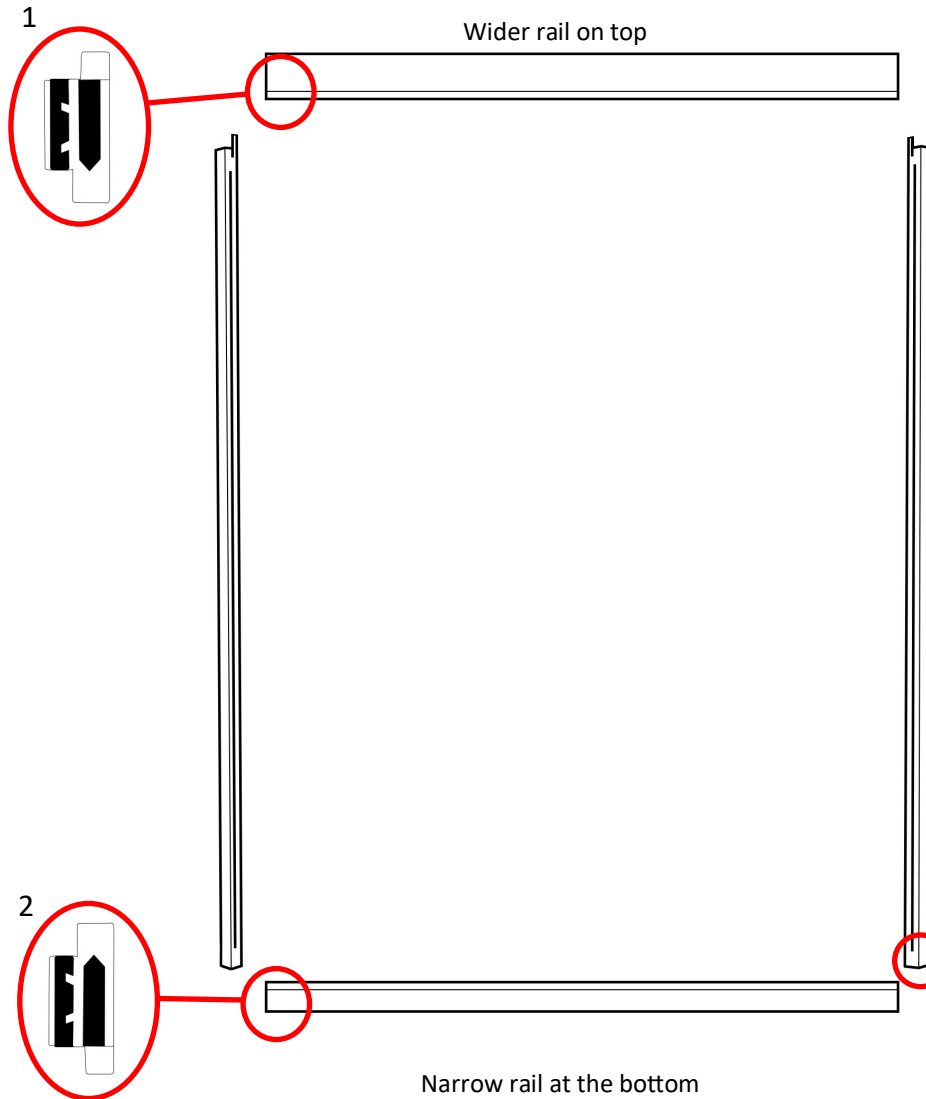
Internal View



Step 8 — Connecting the Framework

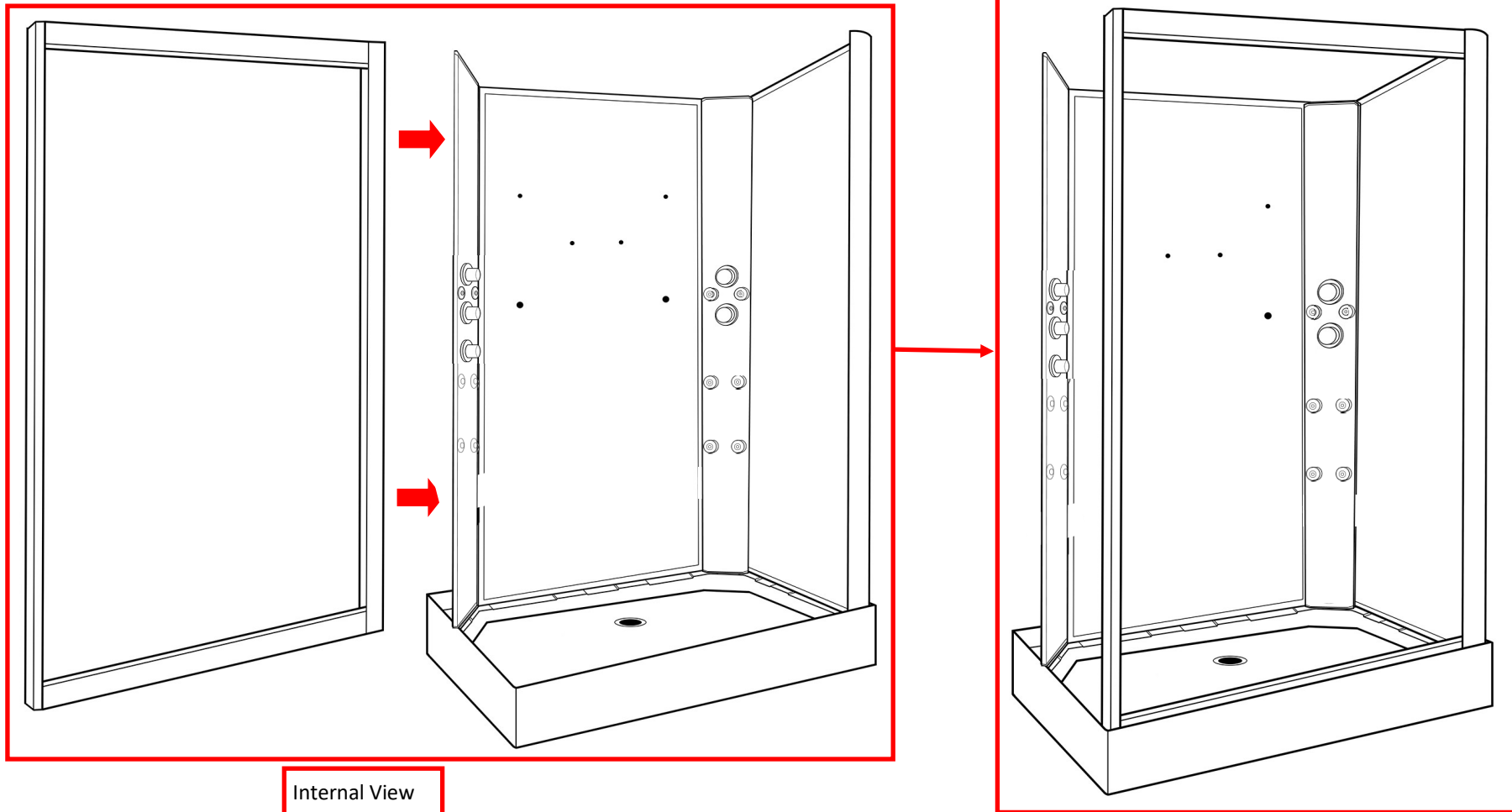


Framework securing clips x4

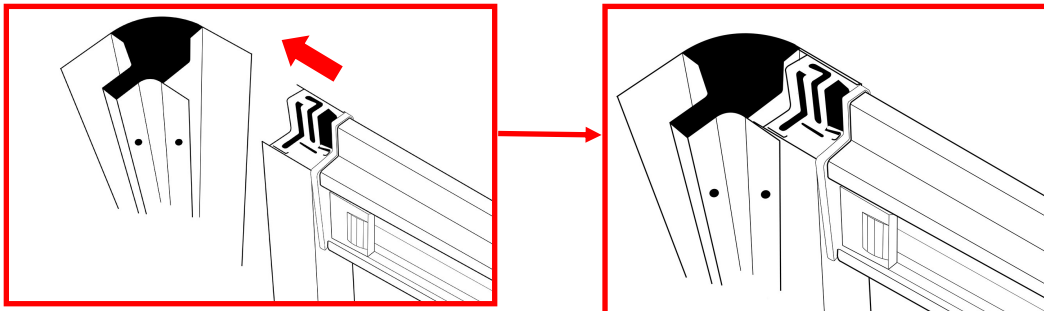


Flat end of vertical uprights sit in the tray

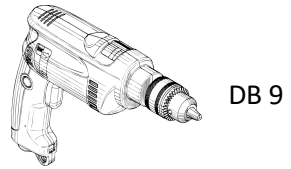
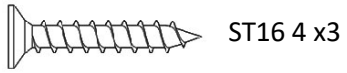
Step 9 — Installing the Framework



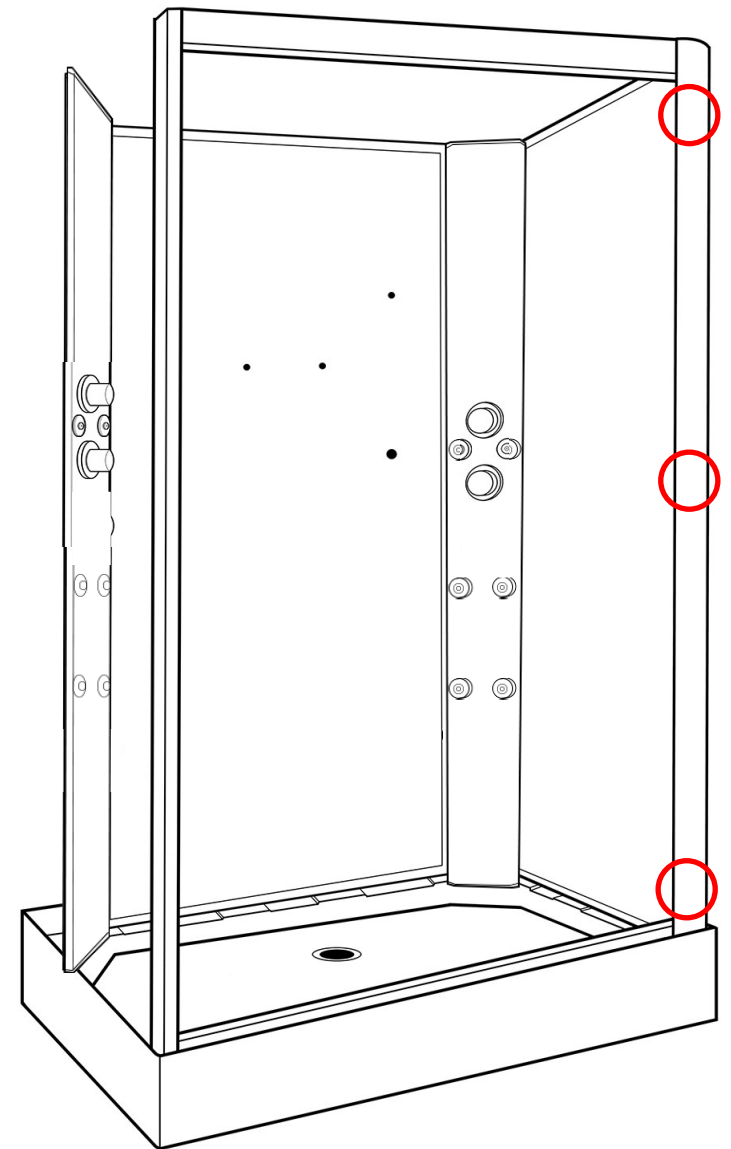
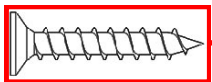
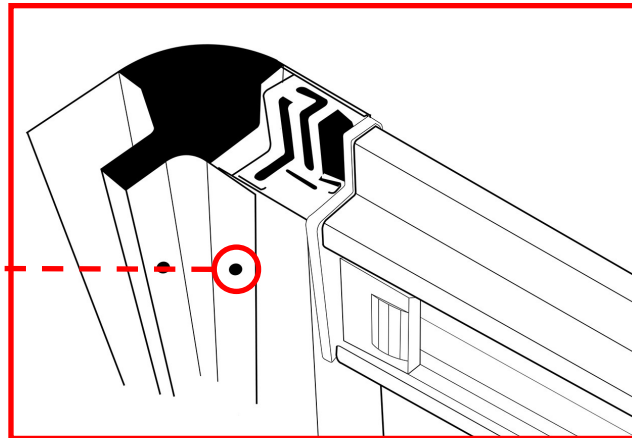
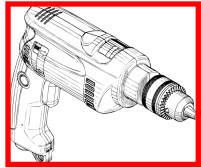
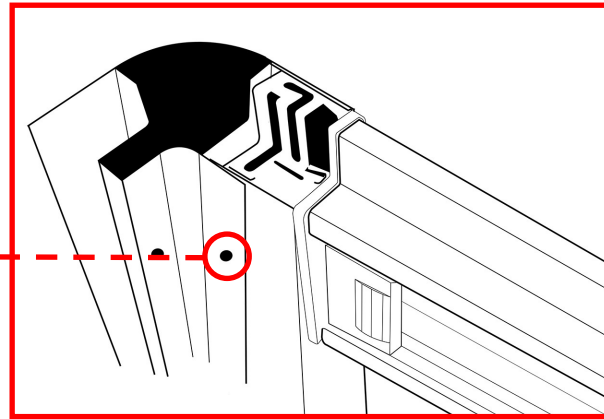
Internal View



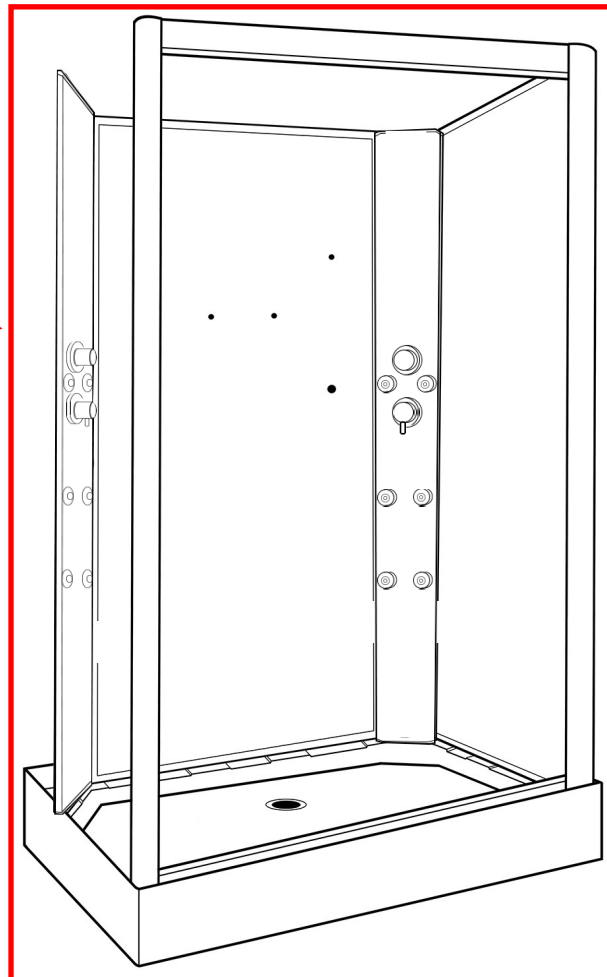
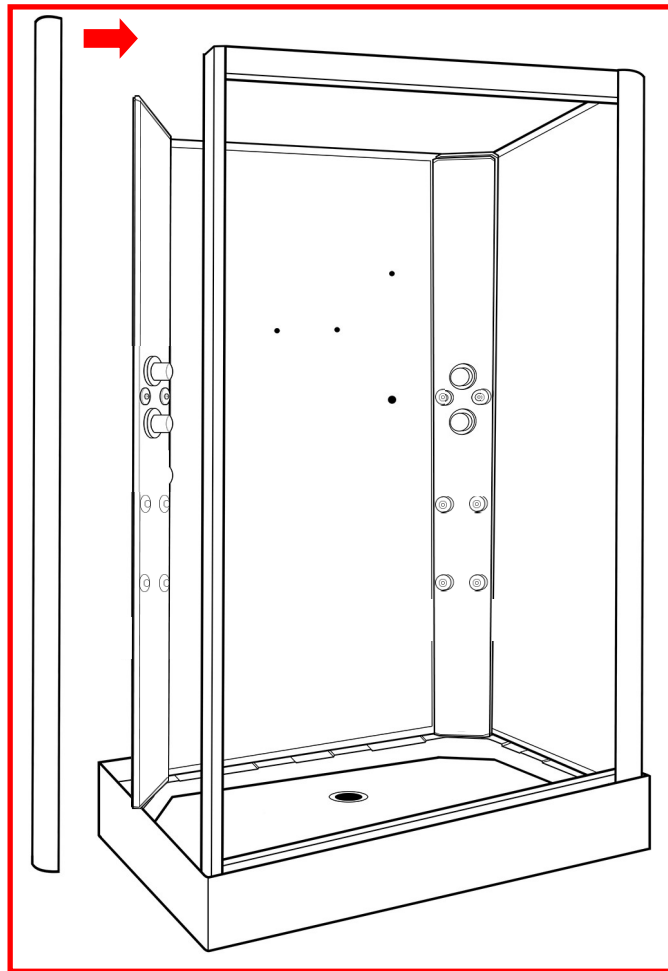
Step 10 — Installing the Framework Continued



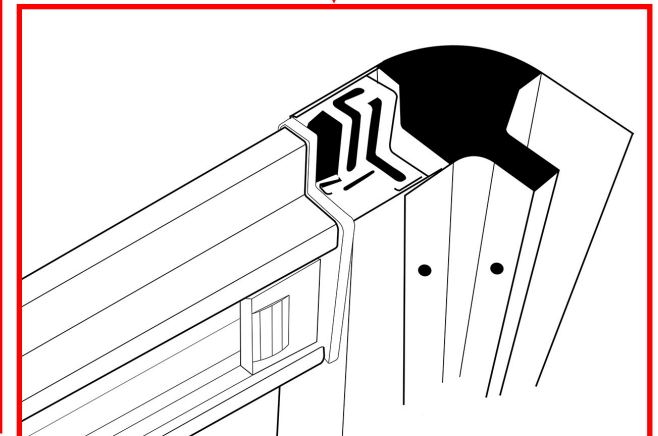
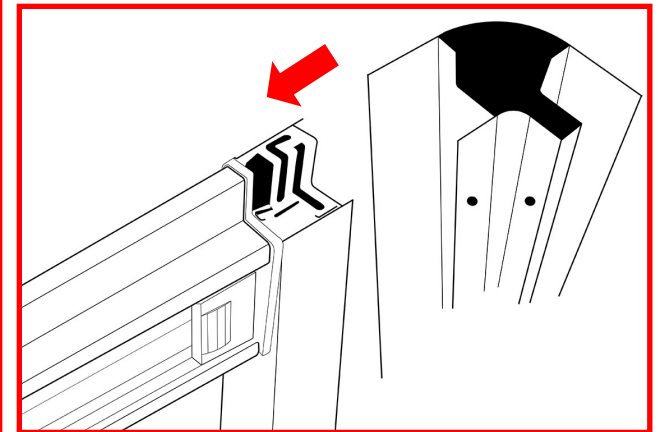
Internal View



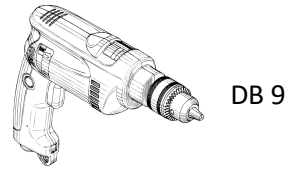
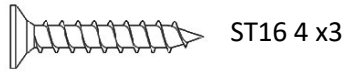
Step 11 — Installing the Left Corner Upright to the Framework



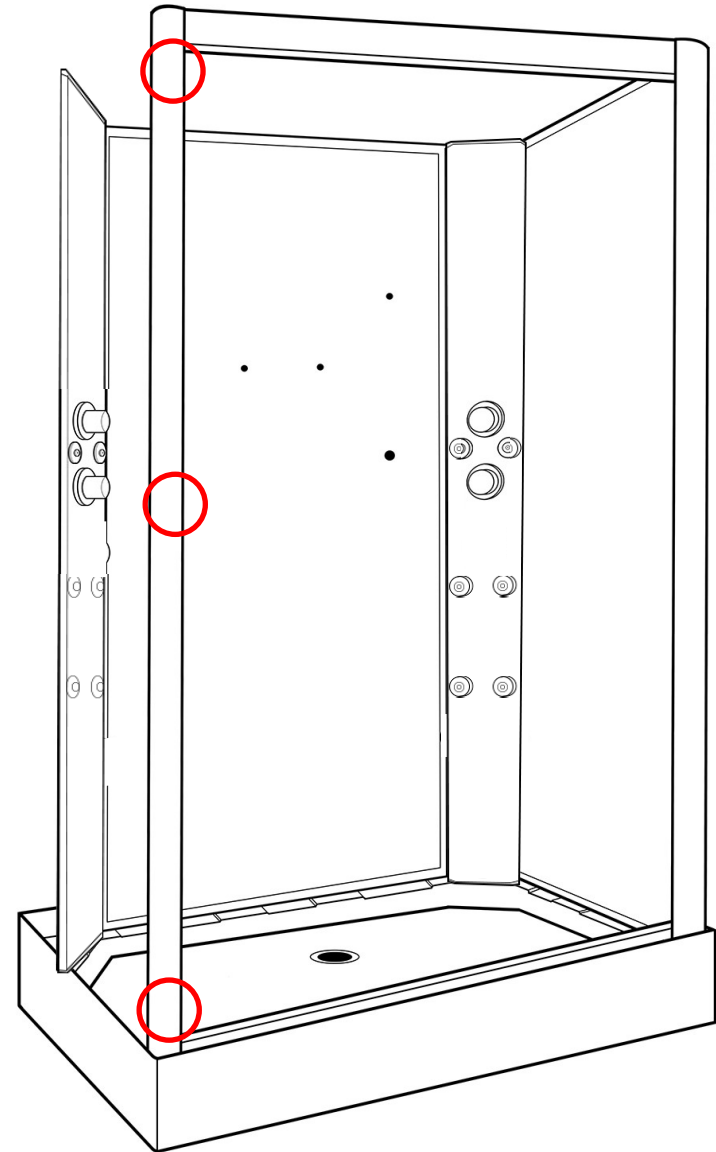
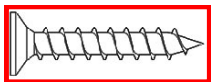
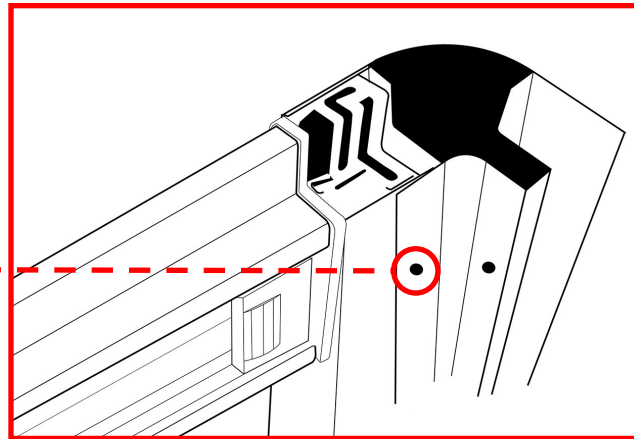
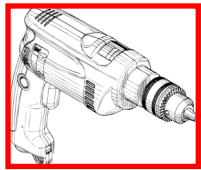
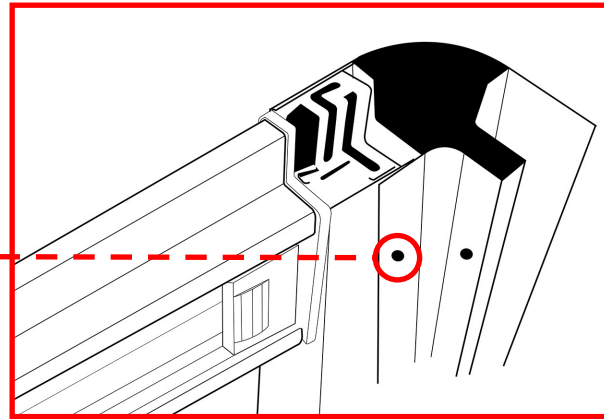
Internal View



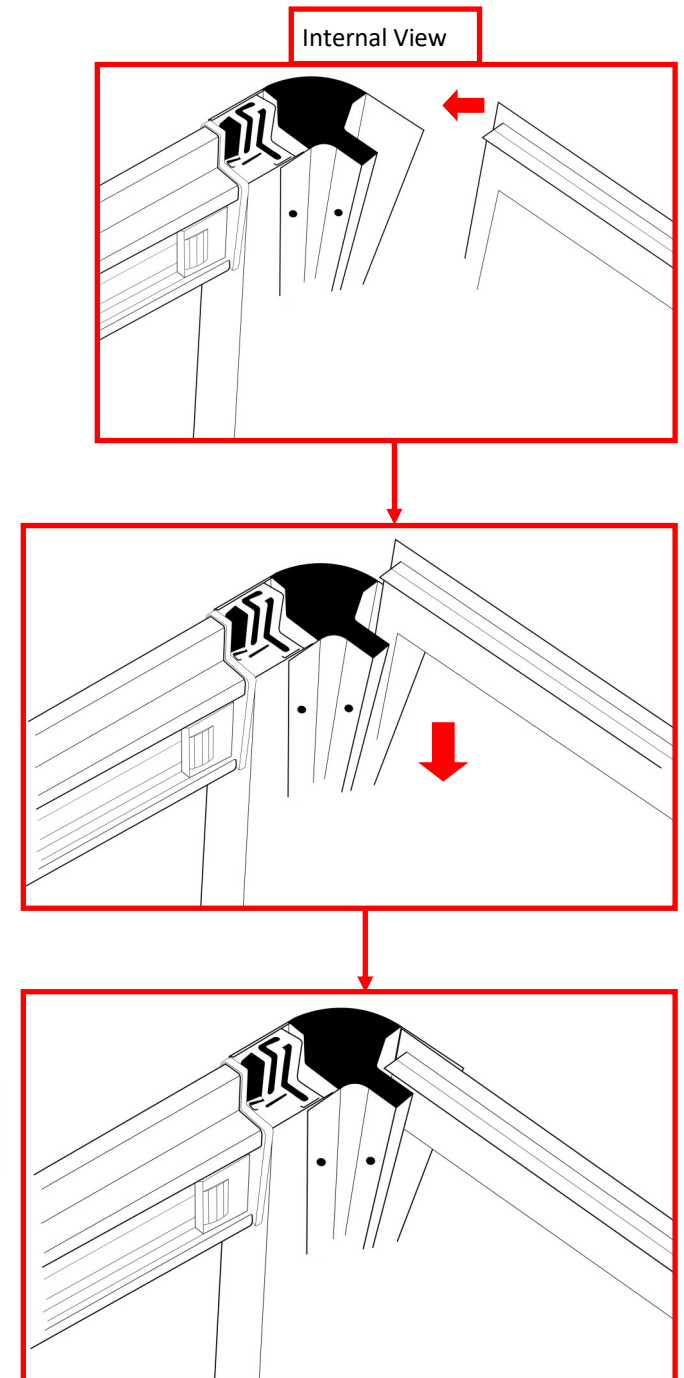
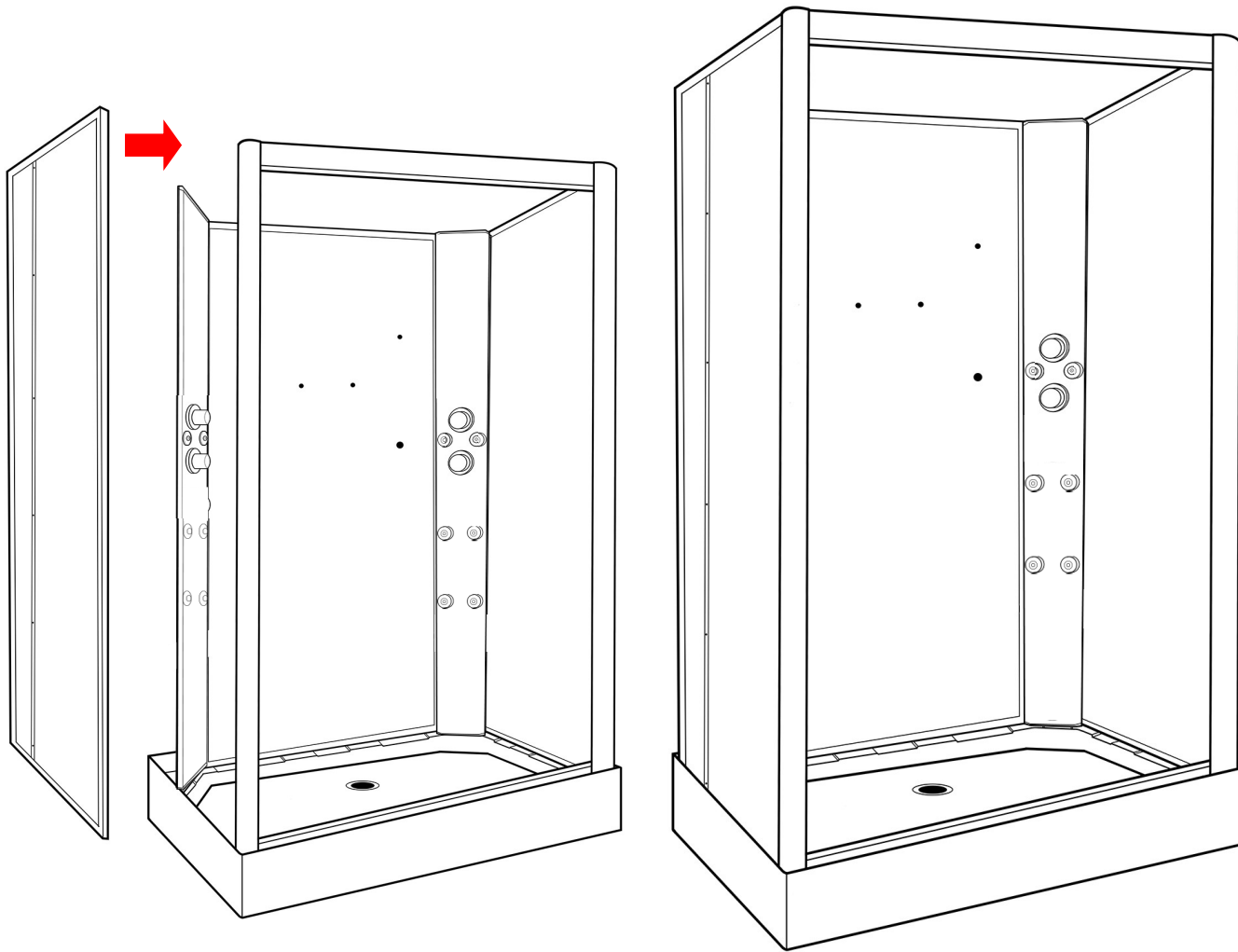
Step 11 — Installing the Left Corner Upright to the Framework Continued



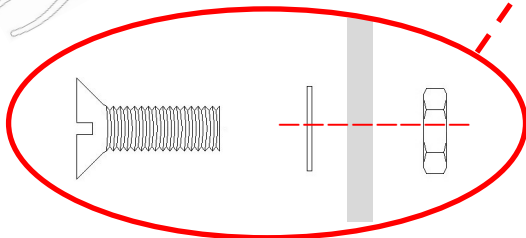
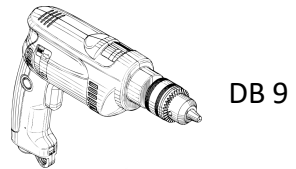
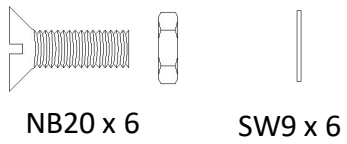
Internal View



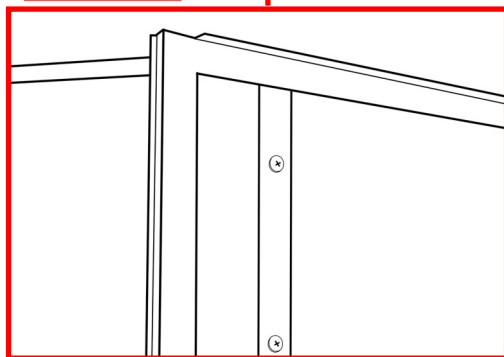
Step 12 — Installing the Left Side Panel



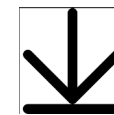
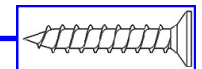
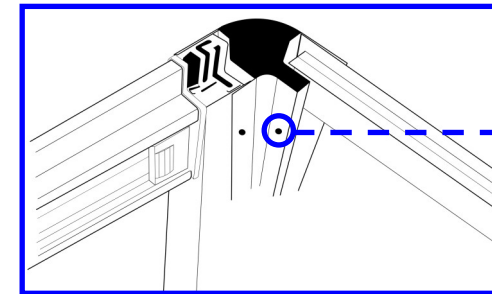
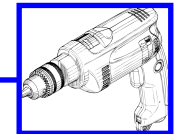
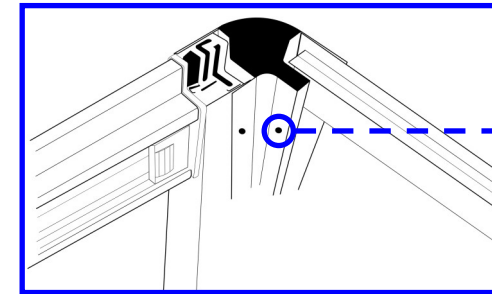
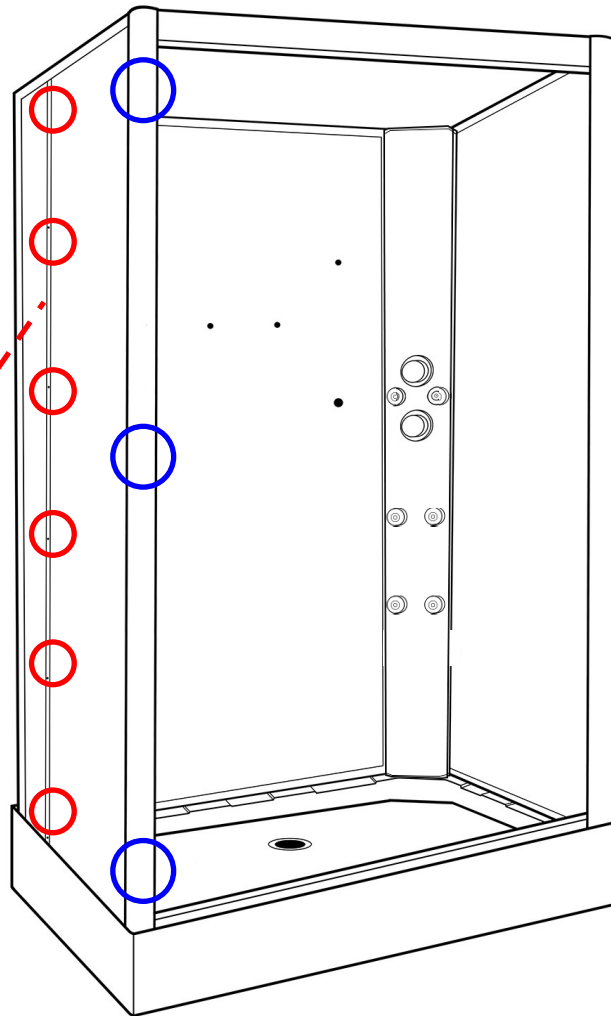
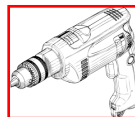
Step 12 — Installing the Left Side Panel Continued



Rear View



If the RubberGum raises the column or panel and mis-aligns the pre-drilled holes for connection, use a drill and Drill bit to make new ones.

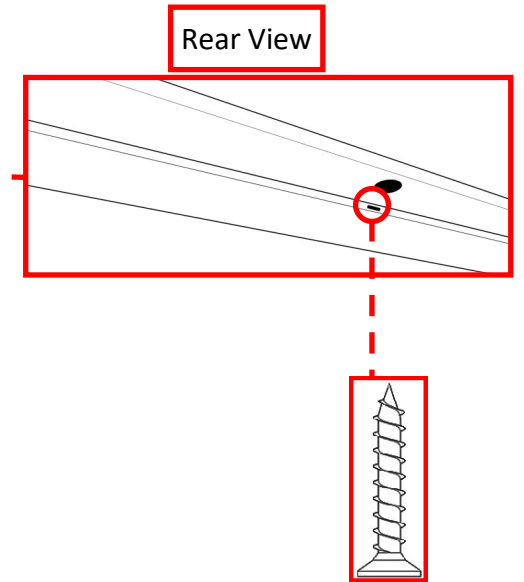
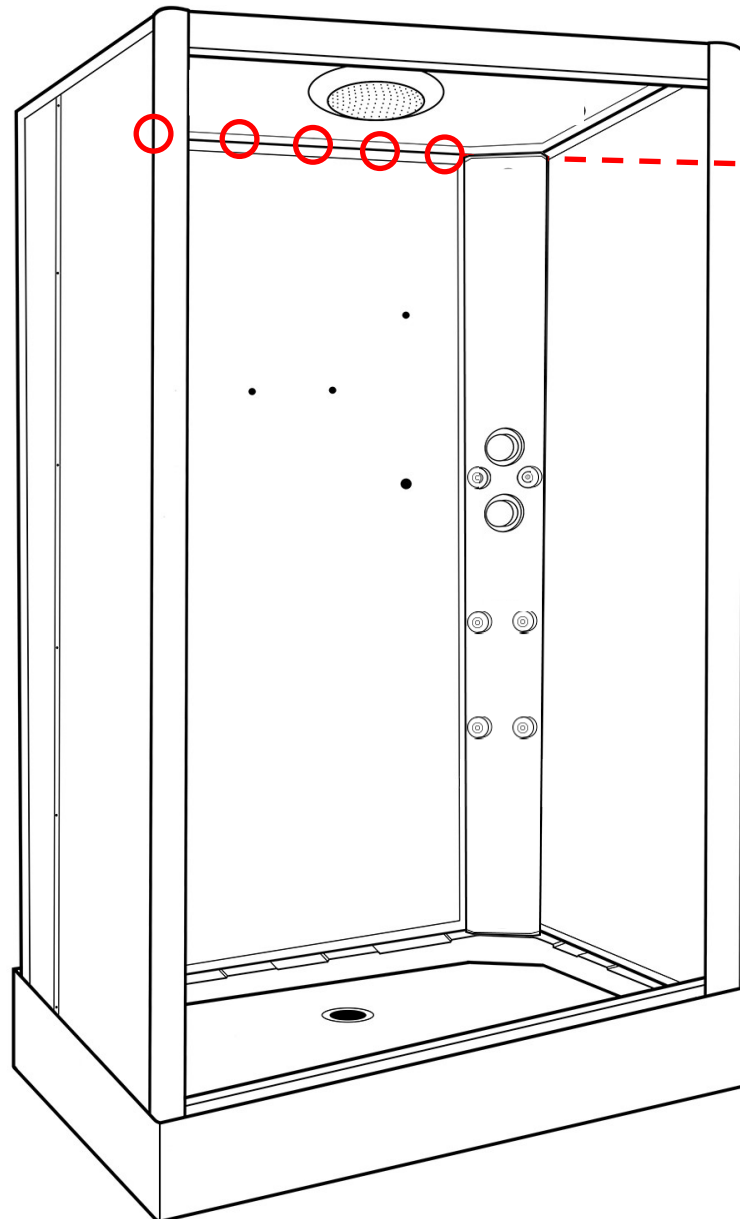
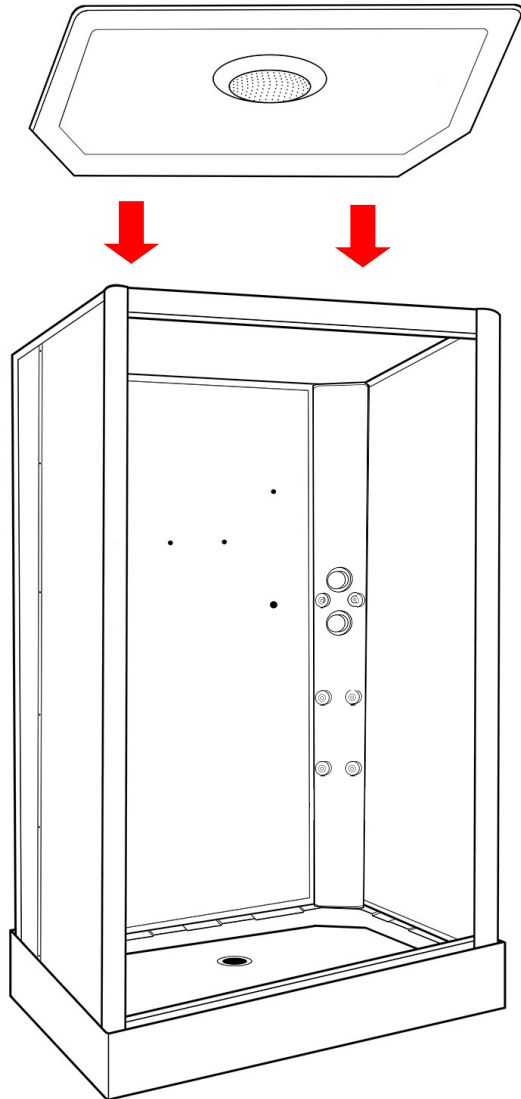
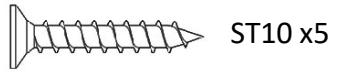


PRESS PANELS
DOWN FIRMLY
ON TO THE
RUBBERGUM.



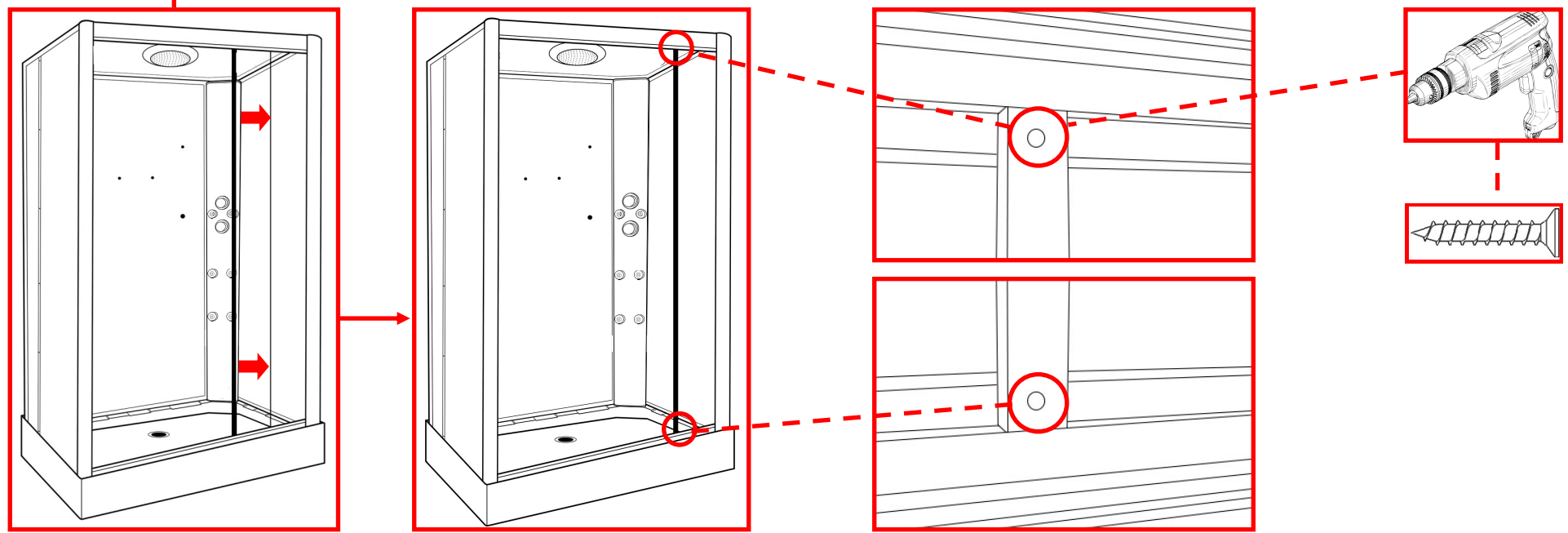
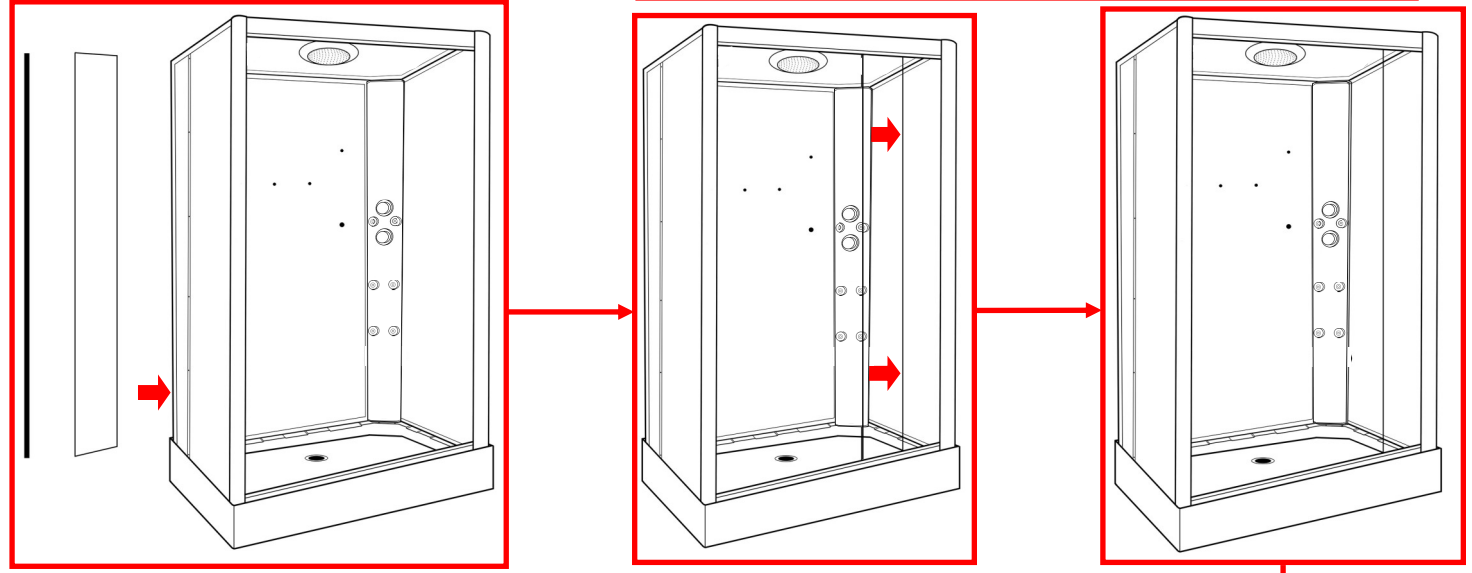
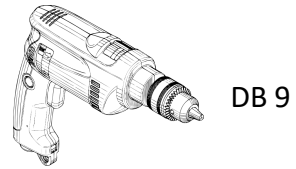
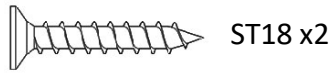
DO NOT SCREW PANELS TO THE TRAY.

Step 13 — Installing the Roof

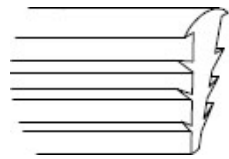


Step 14 — Installing the Right Front Fixed Glass

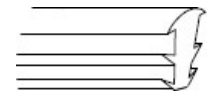
Place glass onto the bottom rail and slide into the upright



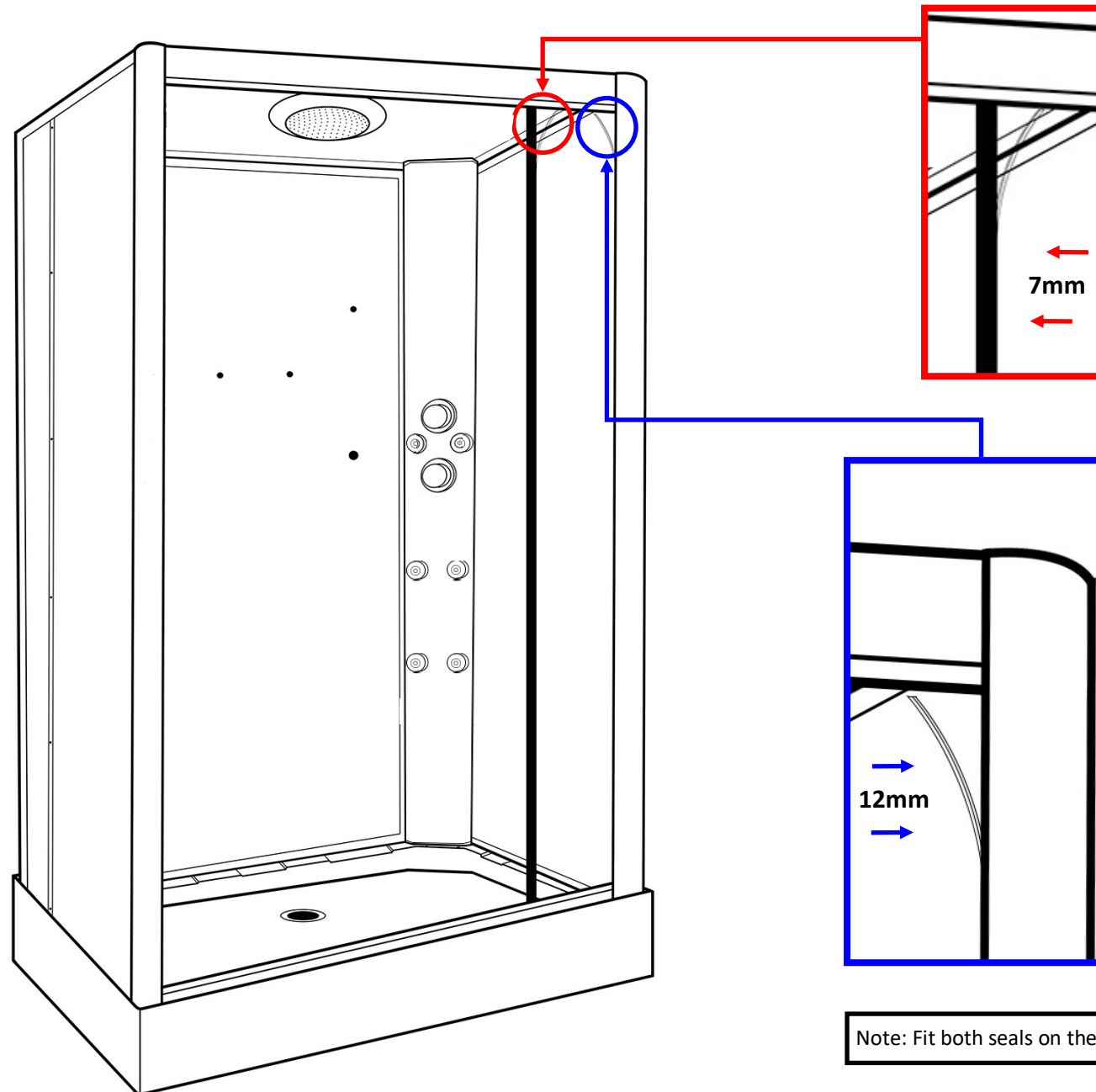
Step 15 — Installing the Right Front Fixed Glass Seals



12mm Seal



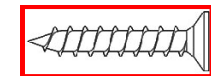
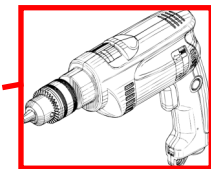
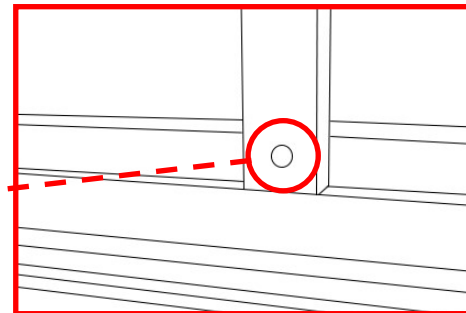
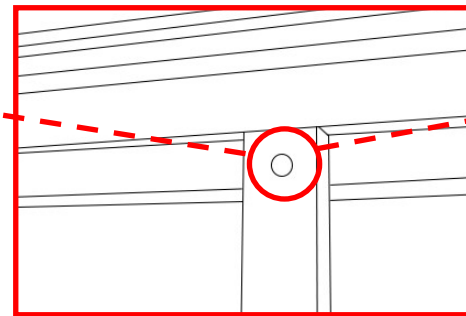
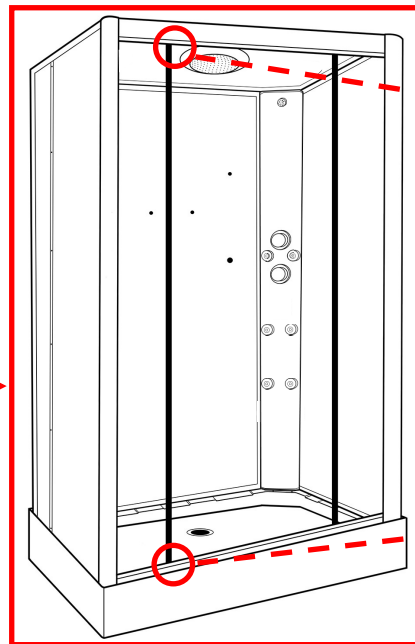
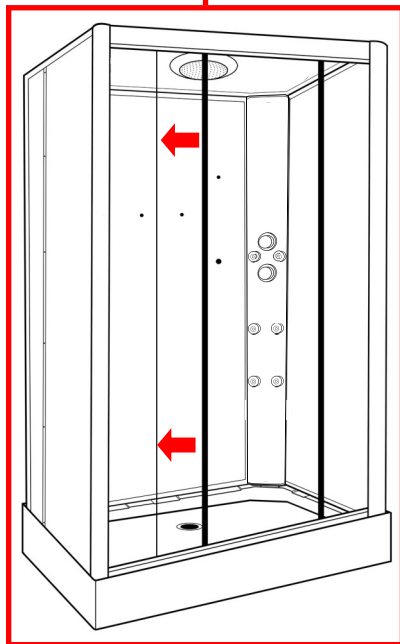
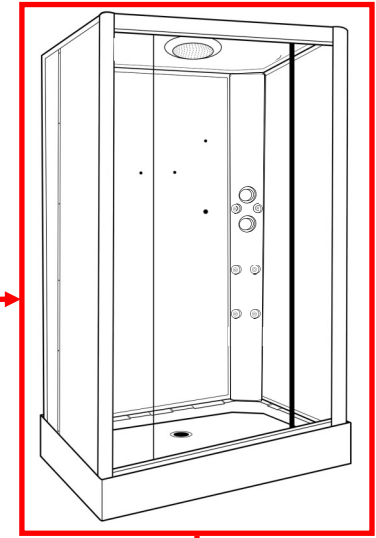
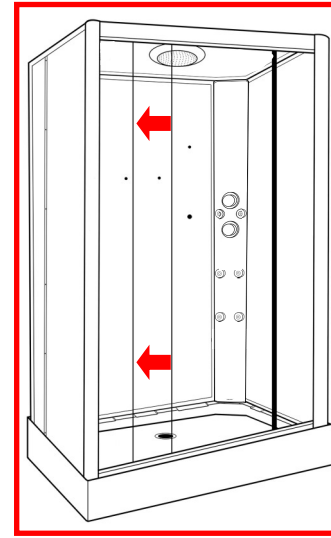
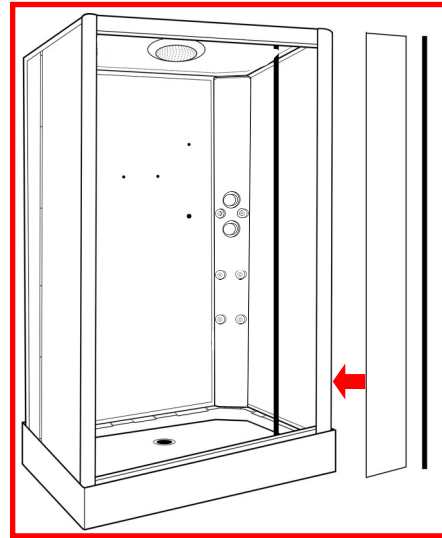
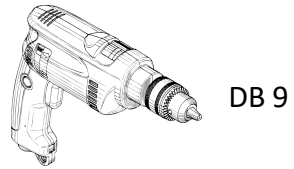
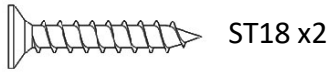
7mm Seal



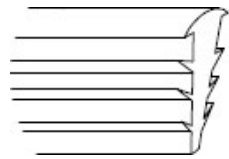
Note: Fit both seals on the **inside** of the shower

Step 16 — Installing the Left Front Fixed Glass

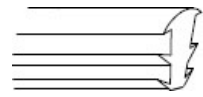
Place glass onto the bottom rail and slide into the upright



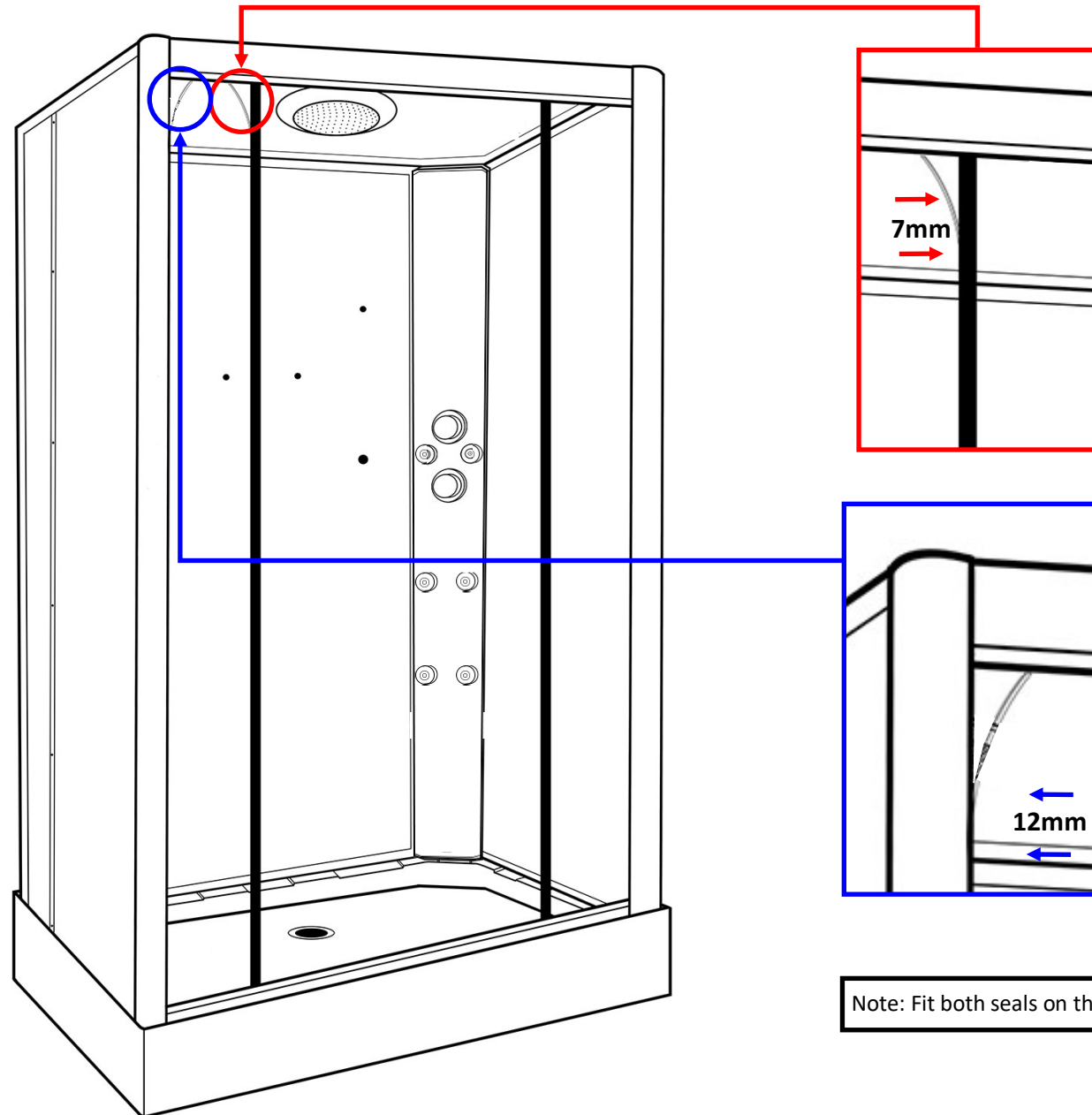
Step 17 — Installing the Right Front Fixed Glass Seals



12mm Seal

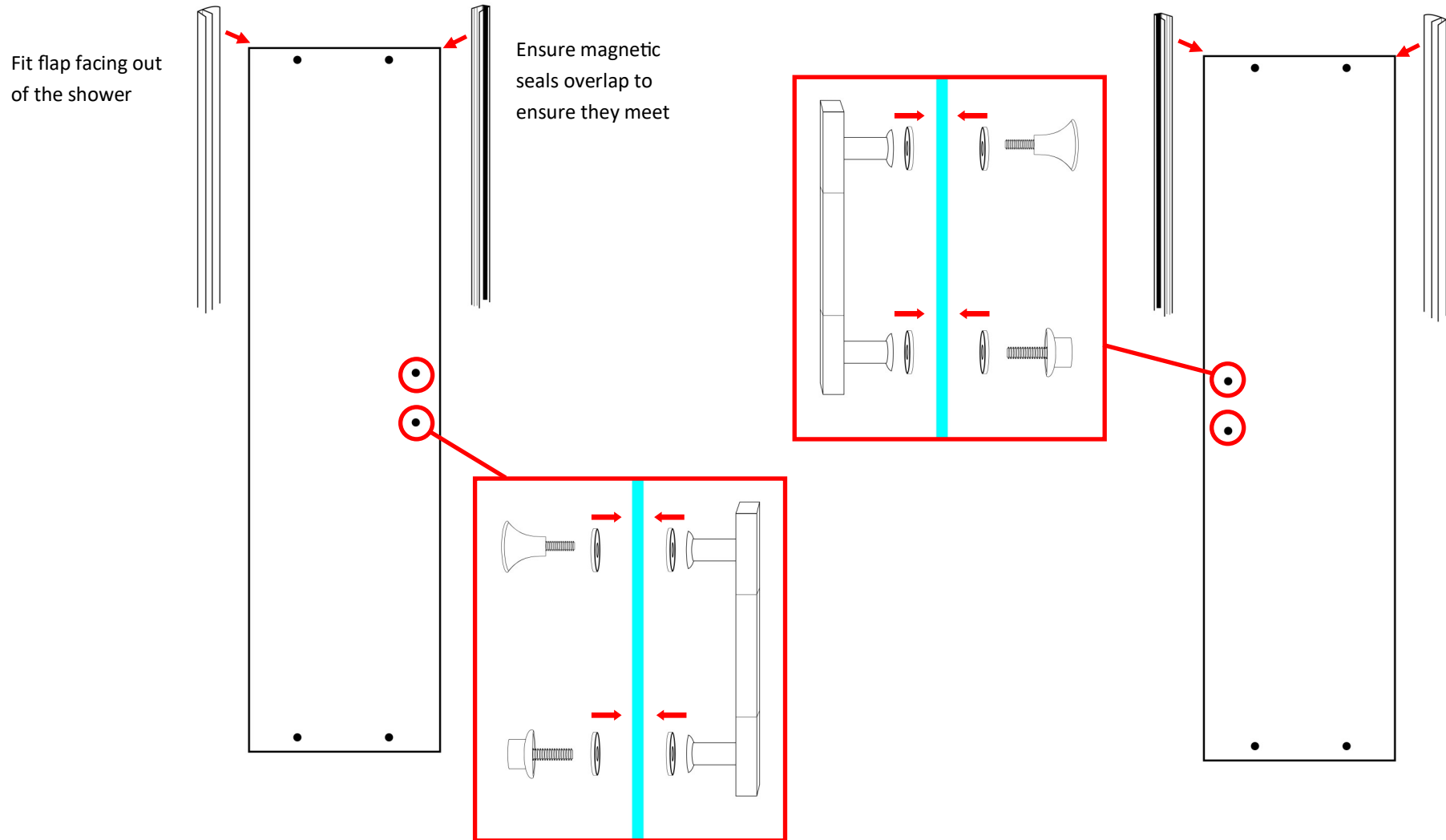


7mm Seal

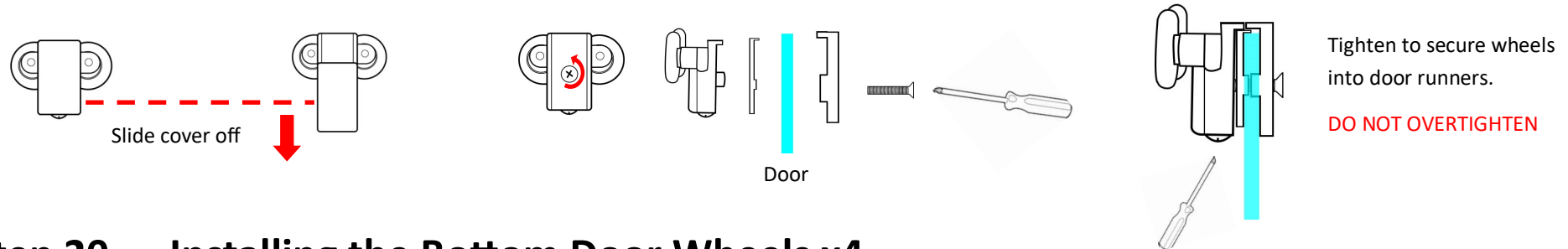


Note: Fit both seals on the **inside** of the shower

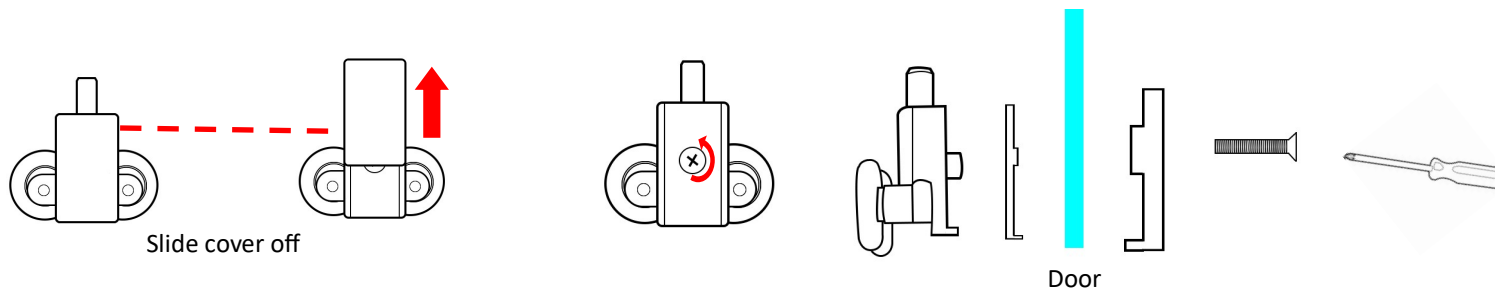
Step 18 — Installing Door Handles, Seals and Magnets



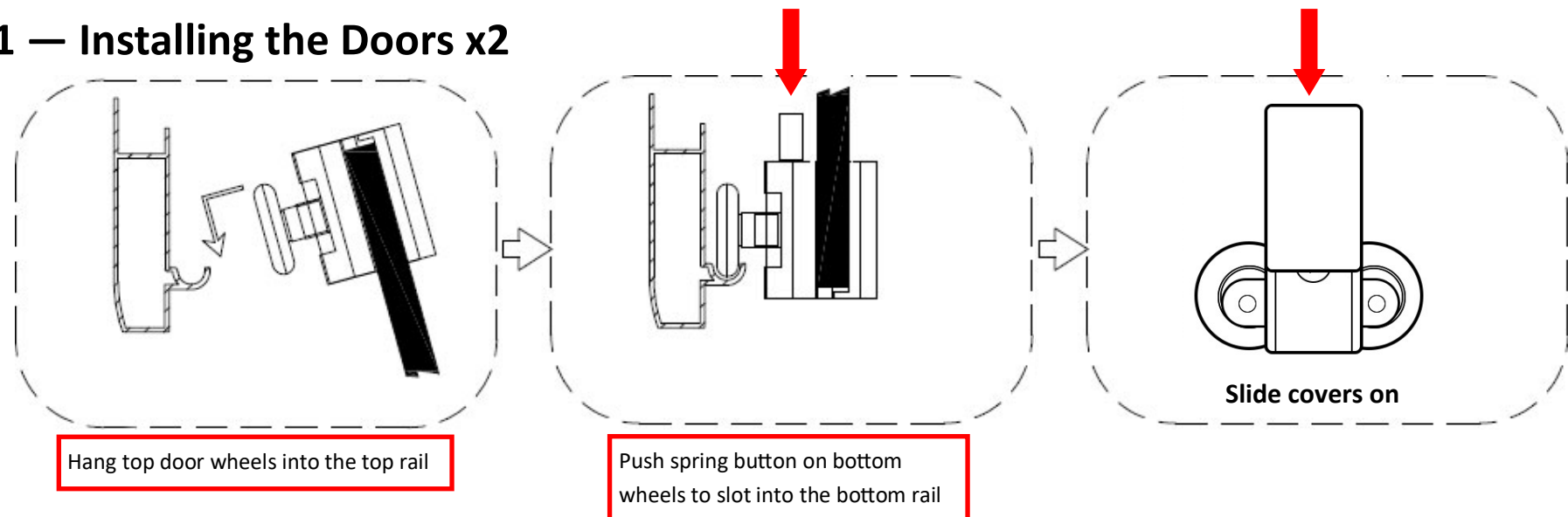
Step 19 — Installing the Top Door Wheels x 4



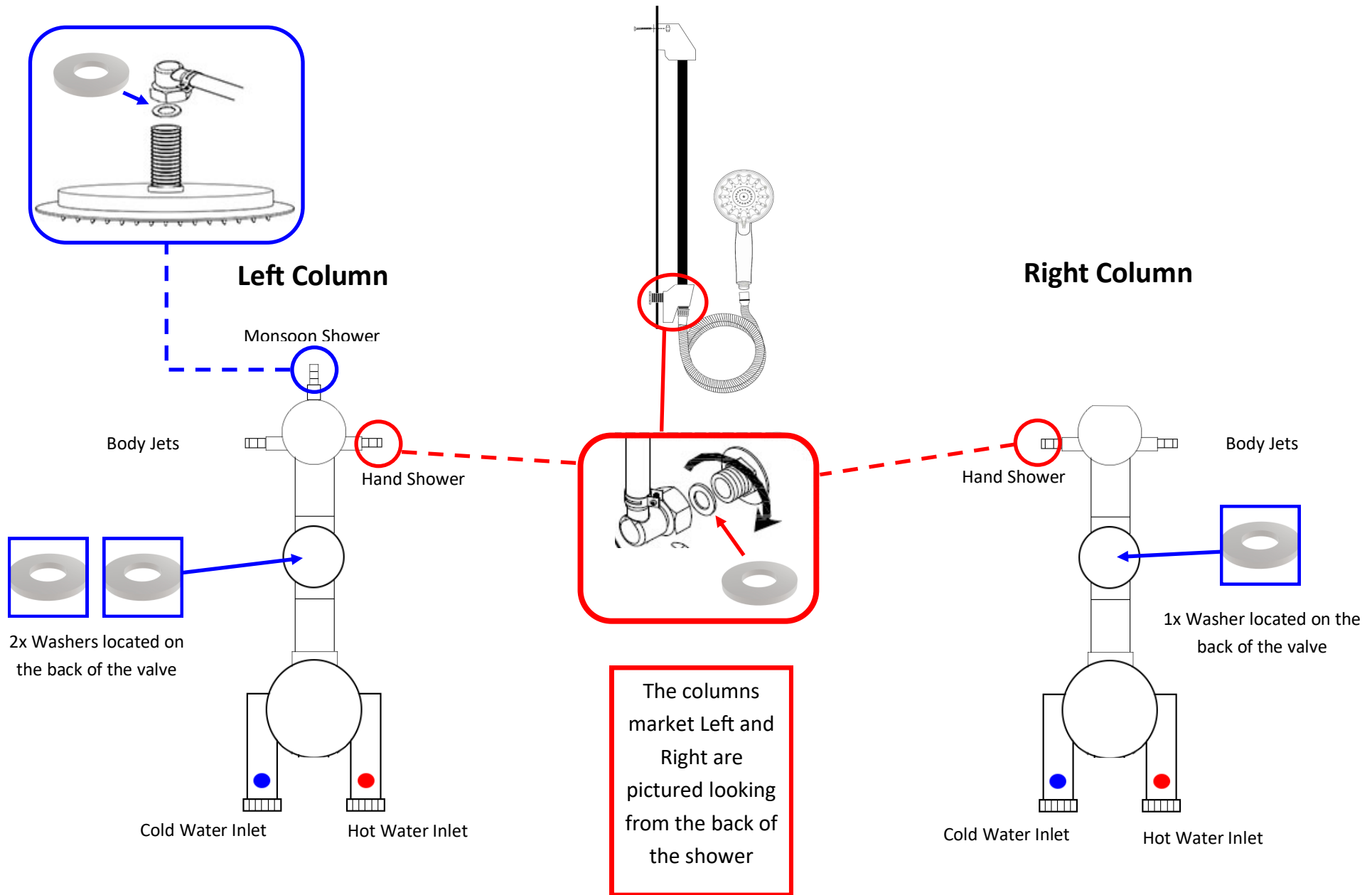
Step 20 — Installing the Bottom Door Wheels x4



Step 21 — Installing the Doors x2



Step 22 — Valve/Water Connections

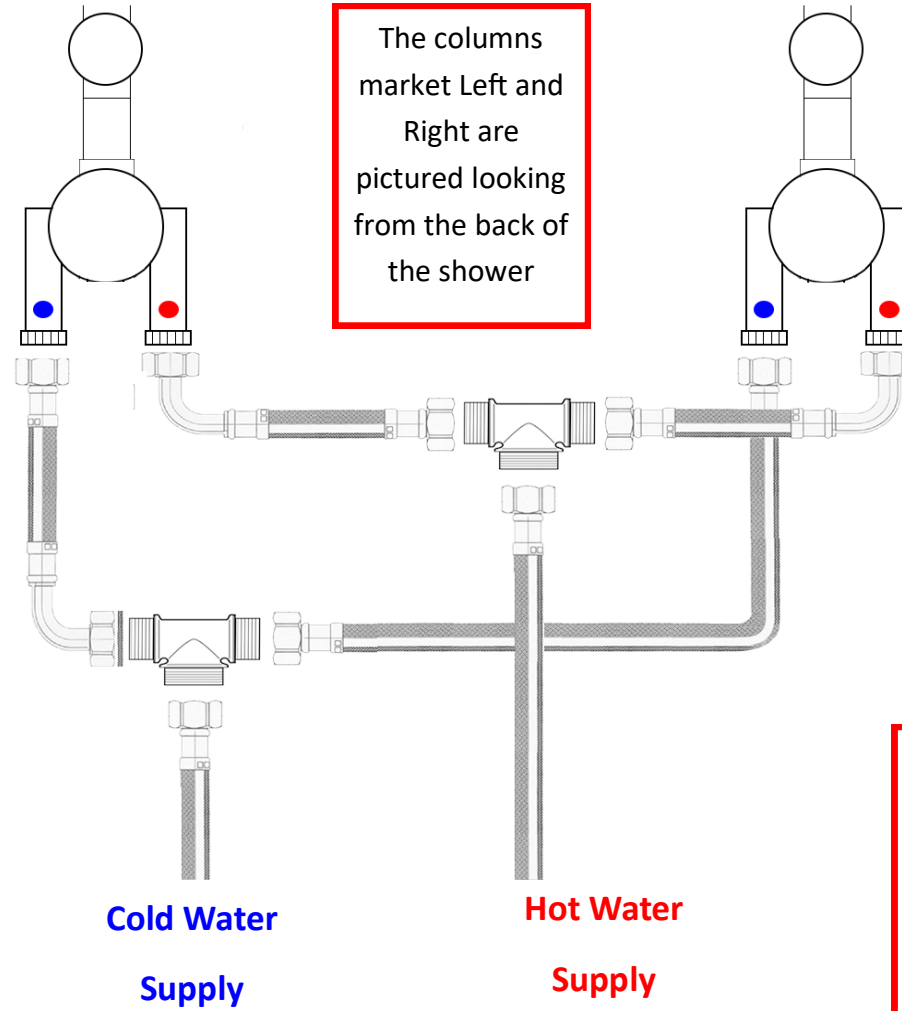


Step 25—Connecting up the Water Supply

The following set up is recommended for the water supply.

Left Valve

Right Valve



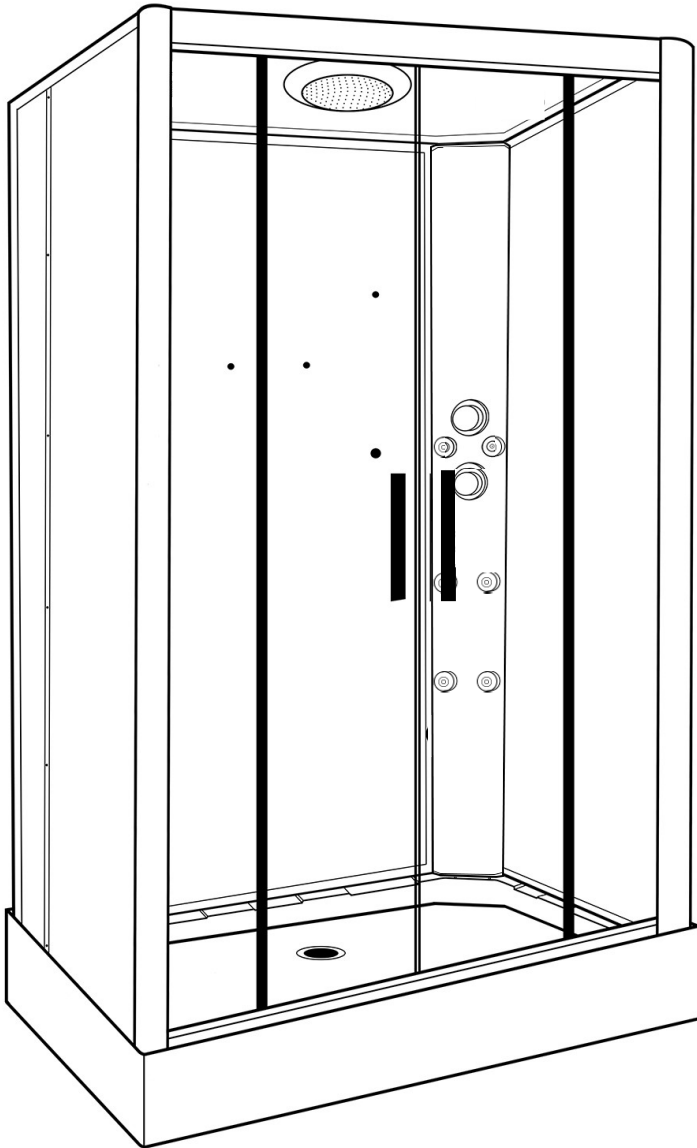
The columns market Left and Right are pictured looking from the back of the shower

Requires 2 x 15mm equal T-Valves

Supplied

Signing off your shower

Now your shower is assembled, there is just few steps before you can sign the shower off.



1. Please ensure ALL the connections are watertight including waste, pre-fitted body jets as clips are only lightly tightened in place for transit and can be dislodged, internal and external hoses and steam connections (model dependent)

2. Once you are happy, check the shower functions by switching on the overhead shower and then adjust the selector knob (top knob) to the hand shower and then onto the body jets. Whilst the water is running, check external hoses for any signs or water drips or leaks and tighten accordingly.

Please note, when testing the body jets, water will shoot towards the open doors and the user.

3. Do not aim the hand shower directly at the joints of your shower as this does not fall under “normal showering conditions”. However, due to Insignia’s unique design of the shower tray, water will only leak back in to the tray so you won’t get flooded.

4. Visually check the water flow in to the waste and adjust the feet of the tray accordingly to ensure the direction of the water flows towards to the waste to prevent over puddling (a small amount of puddling is normal).

5. Never use the shower until all checks have been made and the installer is 100% happy in the knowledge no hose leaks are present.

6. Any RubberGum which has squeezed out between the panels and the tray, simply cut off using a sharp, clean knife blade.

7. Now push the shower from it’s base into it’s final position. **NEVER PUSH THE GLASS OR FRAME** into its final resting position.

Happy Showering!

Parts List

Part Code	Part Description
SP010	Monsoon Shower head
SP002	Round Body Jet (Two Open Ends)
SP002a	Round Body Jet (One Open End)
SP236	Complete riser bar
SP112 (warranty)	Shower holder (for riser bar)
SP120 (warranty)	Water Inlet (bottom part of riser bar)
SP142	Shower waste
SP097	Chrome rectangular door handles
SP190	Glass Shelf
SP072	Door stoppers
SP276	Twin Door Wheels Non-Push
SP276A	Twin Door Wheels Push Button
SP105	Hand Shower Chrome Flexible Hose
SP152	Multi-Function Hand Shower
SP194	Fixed Glass Seals (12mm)
SP197	Fixed Glass Seals (7mm)
SP407	LeakFree Framework Securing Clip (Black)
SP407B	LeakFree Framework Securing Clip (Chrome)
SP308	Magnetic door seals
SP310	Rear door seals

SP300	Waste hose
SP245	3 port – 2 feed non thermostatic valve

All images are registered with
ImageTraker

Insignia™ is a registered trademark of Maclean International Ltd

All images are subject to copyright. Images may not be used in any way shape or form with out written permission from Maclean International Ltd. Images are NOT permitted to be saved, printed or uploaded. Violation of copyright laws are punishable by law.