



Insignia Showers
9a Dean's Rd, Old Wolverton, Wolverton, Milton Keynes MK12 5NA
Call: 01908 317512
Email: sales@insigniashowers.com
Website: www.insigniashowers.com



THE ORB™ INSTRUCTIONS



WARNING

BEFORE USING THE SAUNA

- **ALWAYS** consult your doctor before using a sauna, especially if you have any health issues!
- Children and vulnerable adults must always be supervised when in the vicinity of the sauna, and should never enter due to risk of overheating.
- **DO NOT USE** if you are: Under 18 years of age, pregnant, have history of heart disease or high blood pressure, have diabetes, complications such as neuropathy or retinal damage, you wear a pacemaker, have an open wound, had recent surgery, epilepsy or any other health concerns or risks.
- Health benefits can only be obtained through careful use of a sauna.

WHEN USING THE SAUNA

- NEVER touch, or use the sauna with wet hands.
- NEVER cover the sauna with clothes, towels, or other objects.
- NEVER insert fingers or objects into the ventilation grill or other parts of the sauna
- DO NOT install the sauna in closets, cabinets, or other small un-ventilated places
- DO NOT turn, or store the sauna upside down.
- DO NOT climb, sit, or stand on top of the sauna, or place objects on top of it.
- DO NOT place heavy objects on the power cord or run the cord under carpets or rugs.
- We recommend there is least a 50cm clear space around the sauna for ventilation.
- DO NOT bring mobile phones, MP3 players or other electronic devices into the sauna whilst in use, the heat can quickly cause batteries to overheat, causing a fire hazard.
- Prolonged exposure to high temperatures may lead to overheating. Stay hydrated and DO NOT exceed recommended session times. Exit the sauna immediately if you feel overheated, dizzy, or unwell.



ELECTRICAL WARNING

ELECTRICITY IS VERY DANGEROUS, IN ORDER TO PREVENT ACCIDENTS OR DEATH PLEASE PAY ATTENTION TO SAFETY, AND ENSURE YOU HAVE FULLY READ ALL THE WARNINGS AND THE INSTRUCTION MANUAL BEFORE USE.

- Ensure that the sauna is correctly assembled according to the instructions provided. Improper assembly may lead to malfunction or injury.
- Ensure that the room where the sauna is placed has adequate ventilation. Avoid using the sauna in confined spaces without proper airflow.
- The sauna must stay upright on a stable surface at all times.
- Make sure the sauna is plugged into an AC socket or extension cable that is suitable for use, properly grounded, has a built in surge protector and preferably is IP65 rated.
- **NEVER** touch or use the sauna with wet hands.
- Ensure the sauna is kept dry at all times - This is an infrared sauna, not a steam sauna. Please **DO NOT** splash or spray the sauna with water. If the sauna does get wet, unplug it immediately and **DO NOT** use.
- **NEVER** leave the sauna plugged in and switched on when not in use.
- **DO NOT** bring mobile phones, MP3 players or other electronic devices into the sauna while in use - The heat can quickly cause batteries to overheat, posing a fire hazard.
- If the sauna stops working or doesn't work when switched on, unplug it immediately and **DO NOT** use.
- Insignia accepts no responsibility for the users misuse or failure to use this equipment safely as instructed.

QUALITY BUILD

Step inside through the curved glass door into a serene space crafted from oil-treated Hemlock on the outside and natural, raw Hemlock on the inside. The sleek design adds style to any home.

TOUCH SCREEN CONTROL

Use the LED touch screen to adjust the temperature, set your session time, and control all functions with ease, personalising your sauna experience.



INFRARED TECHNOLOGY

The 10 far-infrared carbon heater panels provide deep-penetrating warmth, promoting relaxation, detoxification, and recovery, without the extreme heat of traditional saunas.

SOUND & LIGHT

Enjoy Bluetooth audio and multicoloured LED lighting, allowing you to create the perfect atmosphere, where your unwinding or energising.

TAKE A MOMENT TO SEE WHATS INCLUDED

1 x ORB™ - comprising of:

- 1 x Base Plate
- 1 x Rear Panel
- 1 x Left Panel (inc. LED control panel)
- 1 x Right Panel
- 1 x Front Panel (inc. glass door pre-installed)
- 1 x Ceiling Plate
- 1 x Ceiling Cover
- 1 x Upright Seat Panel
- 1 x Seat Panel
- 1 x Door Handle & Fittings Pack (screws)

UNPACKING YOUR ORB

1. Read carefully through this user manual before use.
2. First find a suitable ventilated area and flat solid surface to unpack and set up.
3. Complete the steps in the QUICK START GUIDE to assemble your Orb™.

CUSTOMER SUPPORT

If you have any questions about setting up or using your Orb™, please visit our website for further information, FAQs, troubleshooting and customer support.

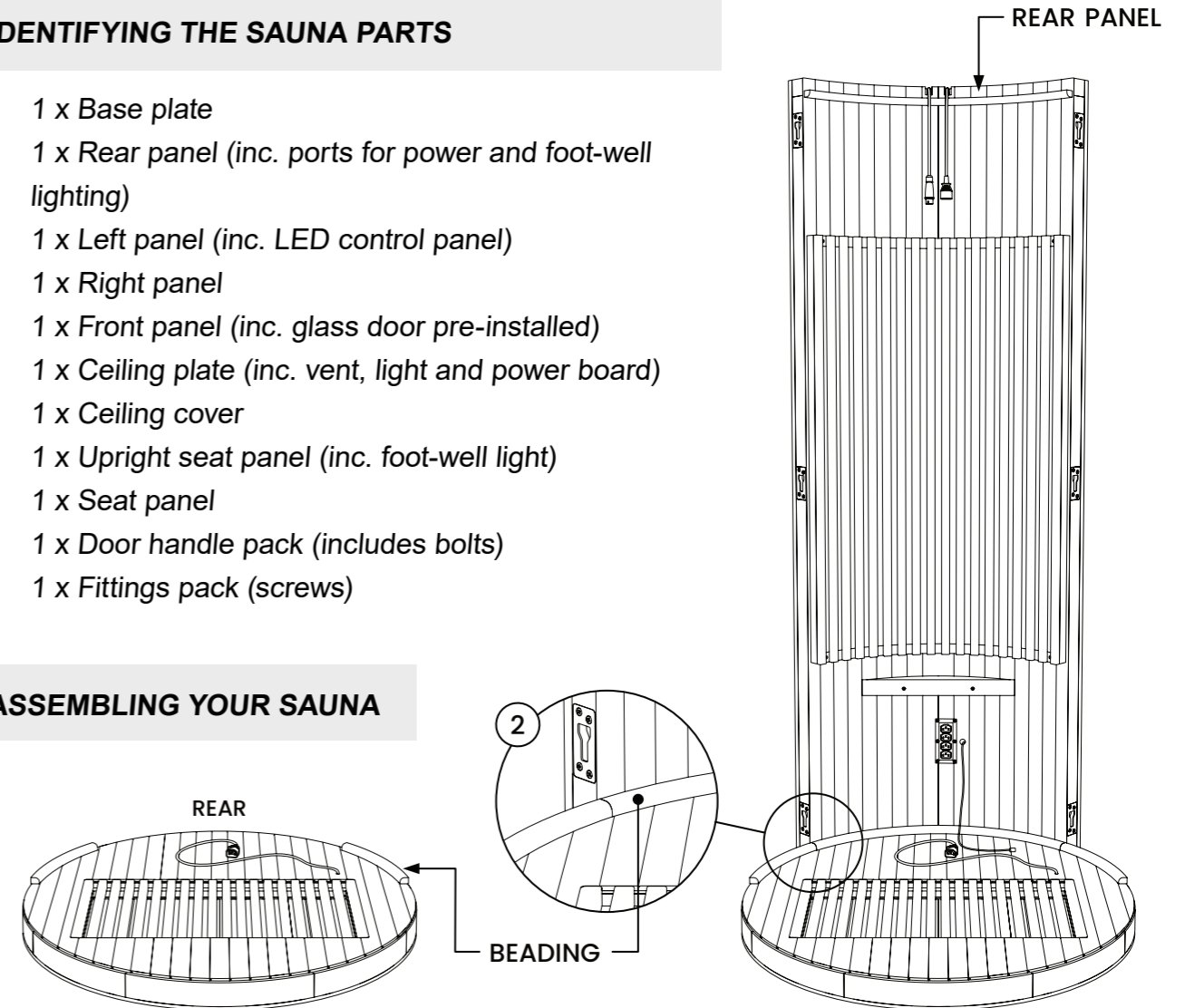


ASSEMBLY INSTRUCTIONS

IDENTIFYING THE SAUNA PARTS

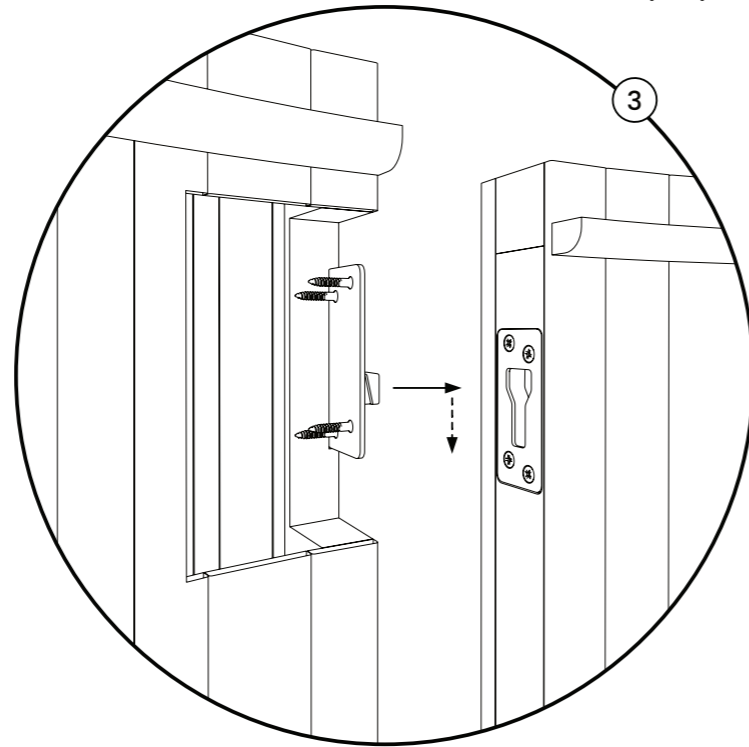
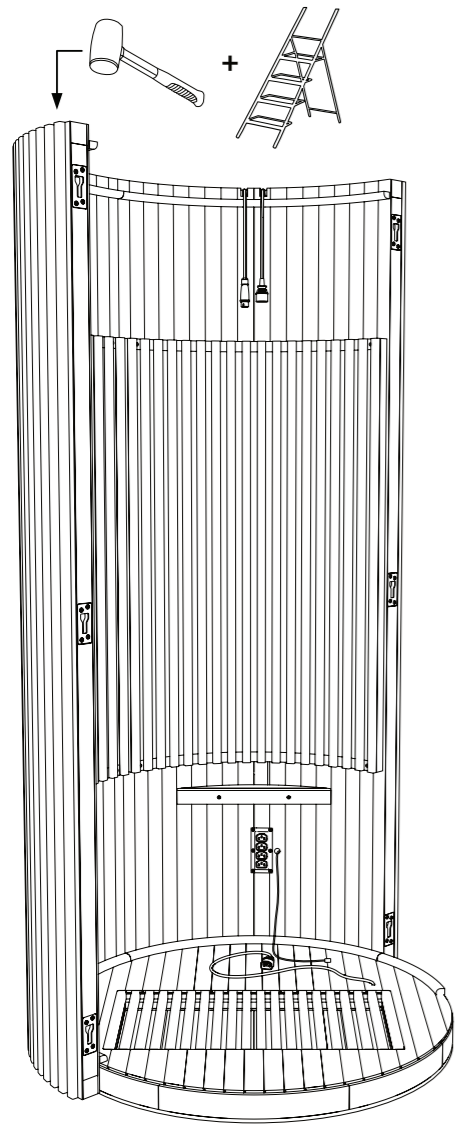
- 1 x Base plate
- 1 x Rear panel (inc. ports for power and foot-well lighting)
- 1 x Left panel (inc. LED control panel)
- 1 x Right panel
- 1 x Front panel (inc. glass door pre-installed)
- 1 x Ceiling plate (inc. vent, light and power board)
- 1 x Ceiling cover
- 1 x Upright seat panel (inc. foot-well light)
- 1 x Seat panel
- 1 x Door handle pack (includes bolts)
- 1 x Fittings pack (screws)

ASSEMBLING YOUR SAUNA



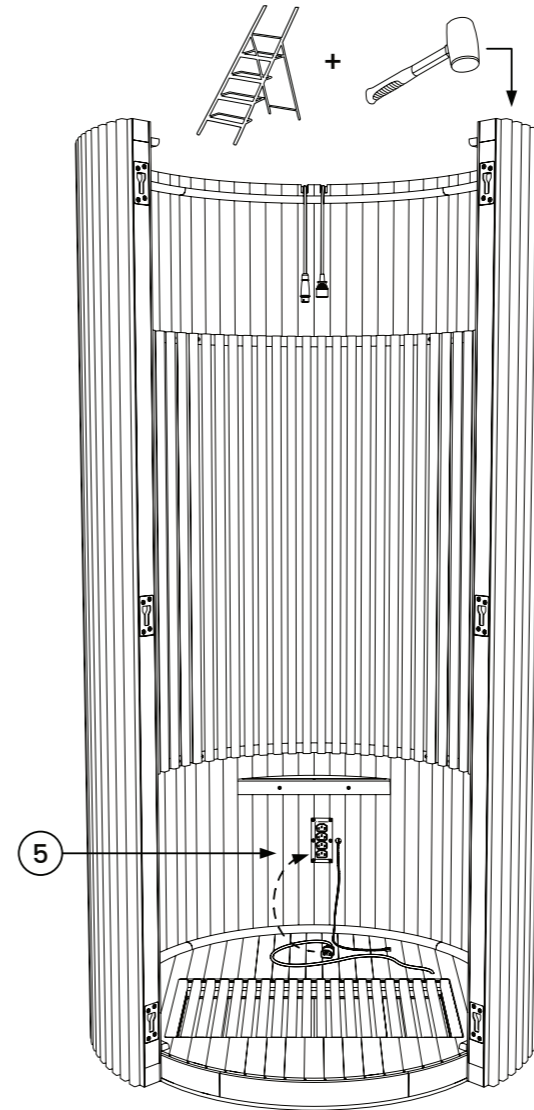
1. Start by placing the sauna base plate on a dry, flat stable surface. The front is indicated by the illustration above.

2. Next, place down the rear panel, ensuring the wooden beading is aligned and flush to the base plate.

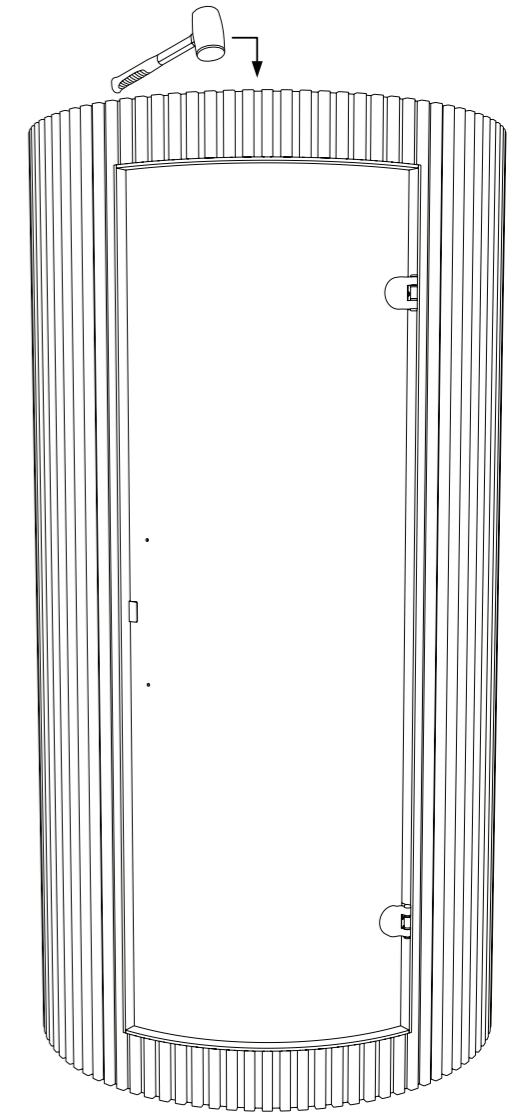


Ensure all 3 pre-fixed concealed key/lock buckles on each panel slot tightly together.

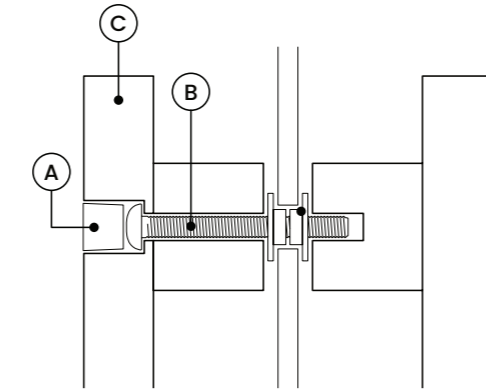
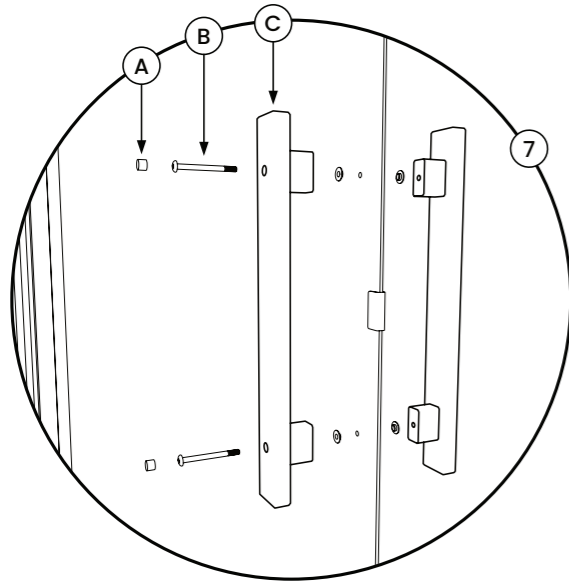
3. Position the left panel (with the LED control panel), ensuring the 3 concealed key/lock buckles slot tightly together, and using a rubber mallet, gently tap the panel down into place until the left and rear panels are tightly in place until the wood beading is aligned.



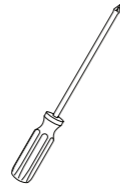
4. Position the right panel, and follow the same instructions in point 3.
5. You can now connect the black power cable from the base to the socket in the rear wall.



6. Position the front panel, taking care of the glass door, aligning all the concealed key/lock buckles, and using a rubber mallet, gently tap the panel down to lock all panels into place.



DOOR HANDLE ASSEMBLY
 A. Wooden bolt plug (x2)
 B. Bolt (x2)
 C. Door handle (x2)

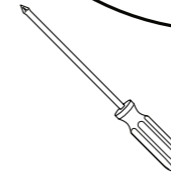
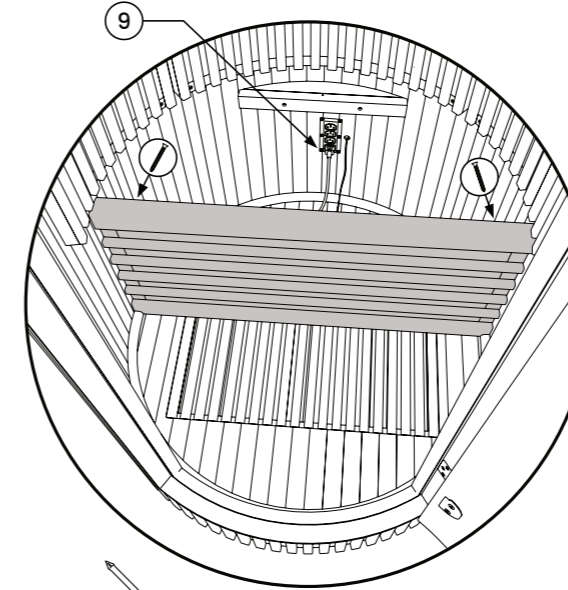


NOTE:

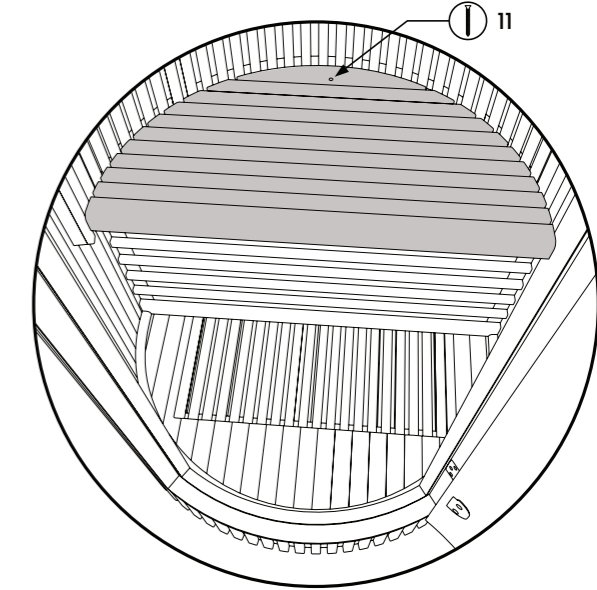
When assembling the door handle, you may notice that the curved glass door has a thin plastic laminate, which may appear slightly frayed around the holes where the bolts are inserted.

Please **DO NOT** peel off this plastic laminate, as it serves as a protective shatter-resistant layer, crucial to the safety of the glass.

7. To assemble the door handle - insert the bolts (B) through the first handle (C).
8. Guide both bolts through the holes in the glass,.
9. Use a screwdriver to tighten the bolts. **DO NOT** over-tighten the bolts.
10. Push in the wooden plugs (A) to conceal the bolt heads and complete the assembly.

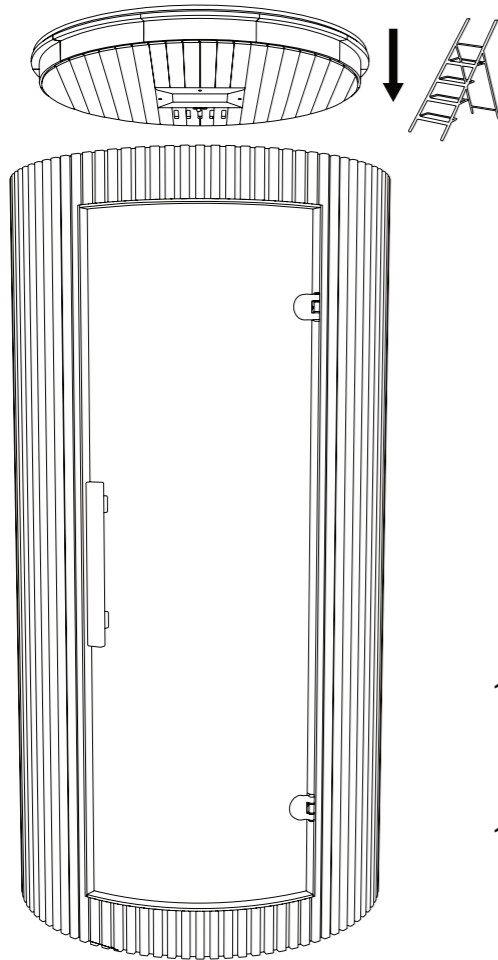


+ 2x Long screws

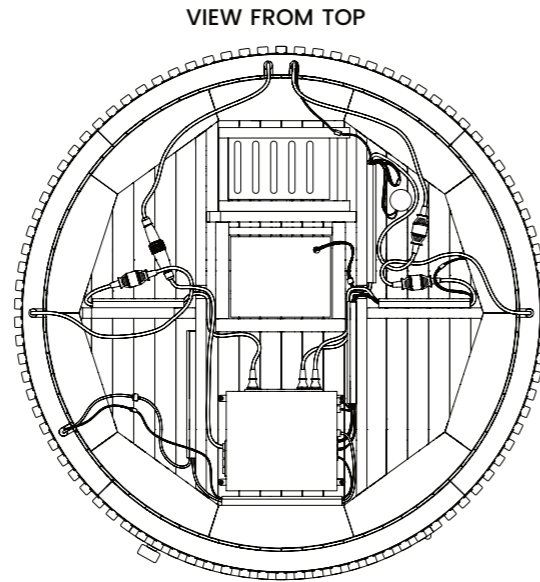


1x Long screw

11. Insert the front leg seat panel, ensuring it fits snugly between the wooden beading along the edges of the base and wall panels. Secure the panel in place using two long screws in the holes located on either side of the rear of the panel
12. Once the front leg seat panel is secured, connect the black power cable from the seat to the socket in the rear wall.
13. Begin by positioning the top seat panel, sliding it halfway to leave room for connecting the thin red and black power cables for the lights
14. Once the cables are connected, rotate/slide the top seat panel fully into place and secure it by inserting and tightening a long screw into the hole located at the rear of the seat panel.

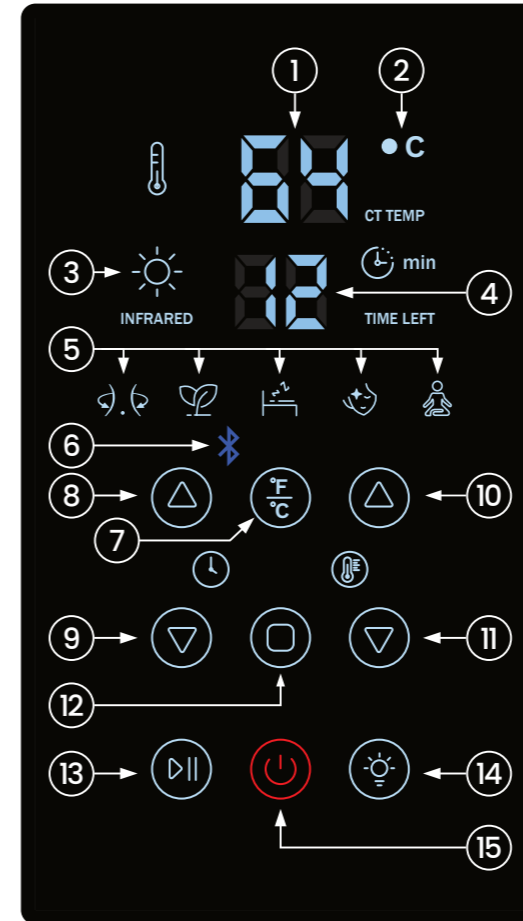


15. Using a ladder, carefully place down the top ceiling panel. The vent should be placed to the rear of the sauna.



16. Ensuring the ceiling panel is positioned correctly, you can start connecting all the power cables.
17. The cables will be coloured and positioned so you can only connect each corresponding plug, some if not all will also be labelled for clarity.
18. Once you finish connecting all the cables together you can then place down the last piece, the ceiling cover.

LED CONTROL PANEL INTRODUCTION



1. Current temperature
2. Current temperature unit (°F or °C)
3. Infrared enabled (heating)
4. Time remaining (minutes)
5. Mode type (see page 10)
6. Bluetooth
7. Change temperature unit (°F or °C)
8. Increase time (+)
9. Decrease time (-)
10. Increase temperature (+)
11. Decrease temperature (-)
12. Switch mode type
13. Start/Pause operation
14. Lights (long press to switch colour mode)
15. Power ON/OFF

Please note: The LED display buttons are all touch-sensitive, and react to single touch and hold functions.

* LED control panel may differ slightly in colour, shape or functionality. Please contact us for further information.

POWER ON AND GENERAL OPERATION

1. After assembling the plug the mains power cable into a suitable AC socket or extension cord. Ensure it is properly grounded, has a built-in surge protector, and is preferably IP65- rated. Then, switch it on.
2. If the sauna is assembled correctly and has power, the Power ON/OFF button (15) on the LED control panel will light up red.
3. Tap the Power ON/OFF button once to activate the LED control panel.
4. The current temperature (1) and remaining time (4) will flash, indicating that both need to be set before the sauna can start.
5. Select your preferred temperature unit (°F or °C) with the Temperature unit button (7).
6. Use the arrows to set your desired temperature (8 & 9) and session time (10 & 11). Tap the arrows to adjust each setting.
7. To select an operating mode, use the Mode button (12) - See page 10 for more information.
8. To adjust the lighting, press and hold the Lights button (14) for 2 seconds to cycle through the different options.
9. To play music via Bluetooth, enable Bluetooth on your phone and scan for the device 'SAUNA BT-APP'. Connect to it, and you can stream music through the sauna's built-in resonant speaker. - Note: The sauna's LED panel does not have volume control, so you must adjust the volume from your phone.

Please remember: Do not to leave your phone in the sauna as the heat can quickly cause the battery to overheat, posing a fire hazard.

10. Once you're satisfied with the set temperature and time, press the Start/Pause button to begin your sauna session. You can pause or stop the session anytime by pressing the Start/ Pause button again.
11. The Infrared Enabled icon (3) will flash while the sauna is in operation.

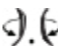




PRE-SET MODES

The Orb™ offers five versatile pre-set modes for quick operation, each carefully designed to support a range of wellness goals - from deep relaxation to enhanced recovery.

With these modes, you can effortlessly select a setting that aligns with your desired outcome, and each mode is fully customisable, allowing you to override the default settings and adjust both the temperature and session duration to suit your personal preferences.

CHOOSING A MODE

1. To select an operating mode, use the Mode Button (12) - See the mode choices below.
2. If you want to override the mode settings, use the arrows to set your desired temperature (8 & 9) and session time (10 & 11). Tap the arrows to adjust each setting.
3. Once your satisfied with the set temperature and time, press the Start/Pause button to begin your sauna session. You can pause or stop the session anytime by pressing the Start/Pause button again.
4. The infrared Enabled icon (3) will flash while the sauna is in operation.

	Mode	Temperature	Running Time
	1. Plasticity (Normal Mode)	55 °C	90 Minutes
	2. Detoxification	45 °C	60 Minutes
	3. Relief	50 °C	60 Minutes
	4. Skin Beauty	45 °C	90 Minutes
	5. Calming	40 °C	30 Minutes

HEAT PANELS

The Orb™ has on total 10 Far-Infrared Carbon Heating Panels located in 4 zones, and for your safety, these panels have different power ratings dependent on their position within the sauna.

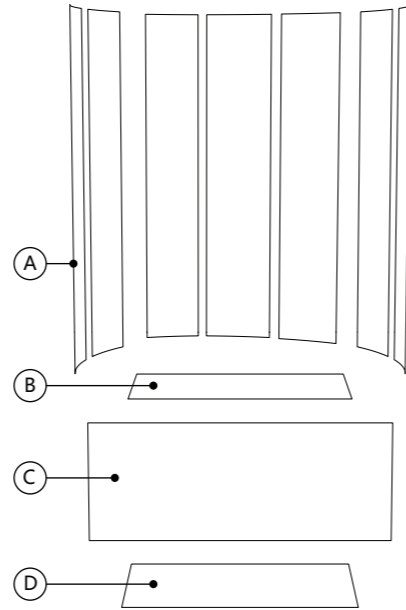
Zone A: 7 x Side and rear panels (180w)

Zone B: 1 x Seat panel (80w)

Zone C: 1 x Front leg seat panel (125w)

Zone D: 1 x Floor (125w)

The lower power ratings for the floor and seat panels ensure these areas don't overheat and cause burns to your feet, legs or posterior.



MAINTENANCE & CLEANING

This infrared sauna has been designed to be low-maintenance.

To clean, simply use a soft damp cloth and wipe down, ensure the sauna is fully-dry before use.

Ensure the sauna is kept dry at all times: This is a far-infrared sauna, not a steam sauna. Please DO NOT splash or spray the sauna with water. If the sauna does get wet, especially during operation, unplug it immediately and DO NOT use.

MANUFACTURER SPECIFICATIONS

Model No.	Temperature
Power Supply	220 - 240V AC
WattS (Peak)	1860W
Typical Power Consumption	1705W
Rated Infrared Output	1590W
Heat Source	Zone A: 7 x Side and rear panels (180w)
Temperature Range	30°C - 65°C (86°F - 149°F)
Audio	Resonating Speaker System (5W)
Lighting	Yes, LED Multi-Coloured Lighting System
Controls	LED Touch-Screen Control Panel
Bluetooth Audio	Yes (Device ID: 'SAUNA BT-APP')
Sauna Construction	Made with Premium Hemlock Wood
AC Plug	UK
Net Weight	170KG
Interior Dimensions	181(H) x 90(L) x 90(W)cm
Exterior Dimensions	195(H) x 101(L) x 101(W)cm

TROUBLESHOOTING

Issue	Possible Causes	Solution
<ul style="list-style-type: none"> The Power ON/OFF button on the LED control panel does not light up. LED control panel or sauna not working. 	No power input.	Check if the mains power cord is plugged in and switched on.
	A power cable within the sauna is not connected or loose.	Check all cables within the sauna, ensure the control panel cable is connected.
	Power light, or control panel is broken.	Contact us for further information.
<ul style="list-style-type: none"> Heat zone not as hot as expected? 	This is normal operation.	Each heating zone has different power ratings for safety - See page 20.
<ul style="list-style-type: none"> Sauna not heating Heating panel not working. Sauna not reaching set temperature. 	Power cable for the heating panel not connected or loose.	Check to see if the power cable for the heating panel is connected.
	Infrared heating panel is damaged.	Contact us for further information.
	Temperature sensor failure.	Check the temperature sensor cable is connected, or contact us if damaged.
	Circuit board damaged.	Contact us for further information.
<ul style="list-style-type: none"> Sauna lights are not working. 	Power cable for the light is not connected or loose.	Check if the power cable for the light is connected.
	Light is broken	Contact us for further information.
<ul style="list-style-type: none"> No sound from the resonant speaker. 	Power cable for the speaker is not connected or loose.	Check if the power cable for the speaker is connected.
	Speaker is broken	Contact us for further information.